

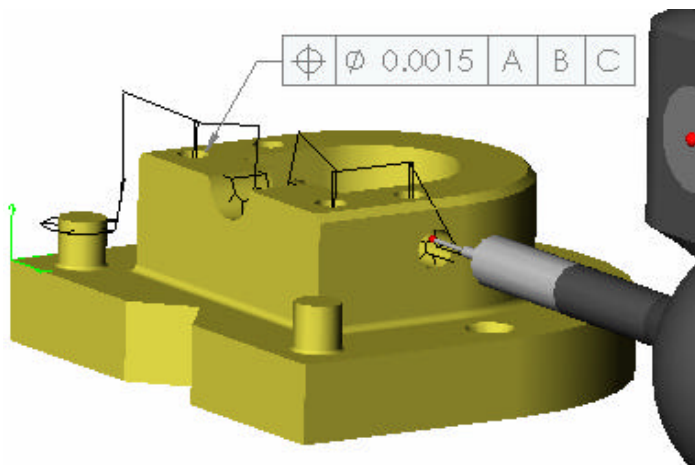
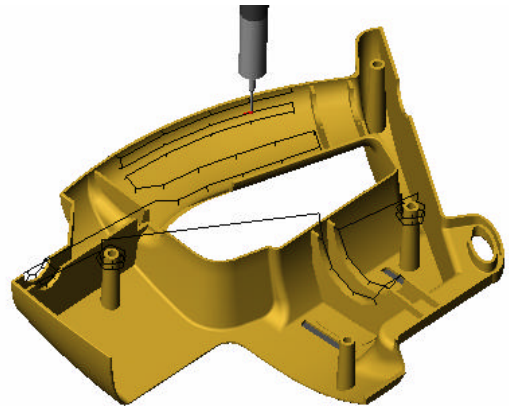


## AccuMetria CMMWorks provides powerful, economical and fully integrated off-line Coordinate Measuring Machine programming for SolidWorks™ 2003 and 2004.

CMMWorks uses an intelligent, metrology-based programming environment to easily create and edit CMM programs. You don't need to know any CMM languages. Simply select the geometry to inspect, the probe to use and the tolerances. With AccuMetria, it is easy to change the sequence of the program, and to update the program when the SolidWorks geometry changes.

### Benefits

CMMWorks prevents CMMs from being tied up during on line programming, increasing efficiency. It allows the programmer to directly use the CAD model to obtain accurate geometry and tolerance information. CAD model usage also allows the programming to be completed before any physical parts exist, streamlining the manufacturing process. Motion simulation and collision detection features help verify that no unwanted or expensive probe head collisions occur.



### Fully Integrated with SolidWorks

Because it is fully integrated into the SolidWorks user interface, there's no need to export geometry data. Eliminating the risk of geometry corruption and the loss of dimension and tolerance data. While creating your CMM program, you can select toleranced dimensions and geometry directly from the model or assembly, or create new tolerances.

### Ease of Use

Creating a CMM program with AccuMetria is easy and based on standard metrology practices. AccuMetria can duplicate or mirror program sections for when your part has repeated geometry patterns. Full on-line documentation is provided, as is an on-line tutorial.

### Simulation

CMMWorks provides CMM motion simulation complete with collision detection. Using simulation, you can verify your program will not cause unwanted and expensive collisions between the probe head and the part, fixturing or CMM itself.

### Features

- Fully integrated with SolidWorks 2003
- On-line documentation and tutorials.
- DMIS 4.0
- Prismatic features and profiles
- Uses GD&T from model
- Mirror, rotate and translate inspection patterns
- Simulation with collision detection
- Indexable and fixed probes
- Powerful editing
- Imports data from IGES, STEP, ACIS, ProE and others

### Requirements

AccuMetria CMMWorks is a SolidWorks 2003 Add-In application and uses the standard SolidWorks hardware and software requirements.