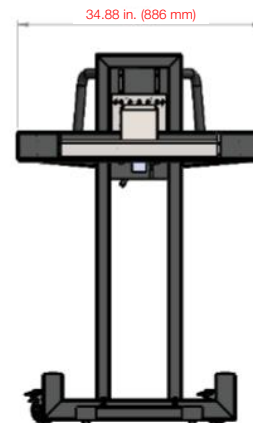
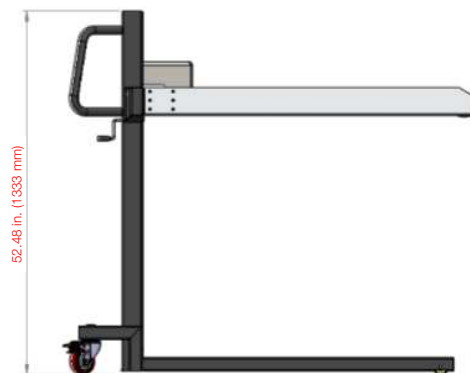
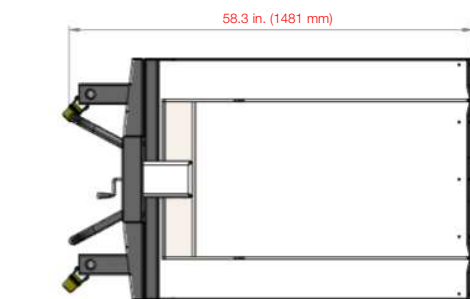


Stratasys Neo800 Unload Trolley

Conveniently pick up and unload the Neo®800 platform and parts up to 88 lbs (40kg) in weight with the Stratasys Neo Unload Trolley.

The Stratasys Neo Unload Trolley allows completed build platforms to be moved from the Neo800 to the part cleanup area - the perfect addition for a complete 3D printing solution.

Weight 203 lbs (92 Kg). Dimensions shown.



Stratasys Headquarters

7665 Commerce Way,
Eden Prairie, MN 55344

stratasys.com
ISO 9001:2015 Certified

Authorized Distributor:



www.cati.com || 888.308.2284

