



**stratasys**

**Dimension<sup>®</sup> Elite**

**3D Printers**

***USER GUIDE***

## LEGAL NOTICE

The information in this document is subject to change without notice. Stratasys, Inc. shall not be liable for errors contained herein or for incidental or consequential damages in connection with the furnishing, performance, or use of this material. Stratasys, Inc. makes no warranty of any kind with regard to this material, including, but not limited to, the implied warranties of merchantability and fitness for a particular purpose. It is the responsibility of the system owner/ material buyer to determine that the Stratasys material is safe, lawful, and technically suitable for the intended application as well as identify the proper disposal (or recycling) method consistent with local environmental regulations. Except as provided in Stratasys' standard conditions of sale, Stratasys shall not be responsible for any loss resulting from any use of its products described herein.

## COPYRIGHT STATEMENT

This document is protected by copyright. All rights reserved. Its use, disclosure, and possession are restricted by an agreement with Stratasys per software copyright. No part of this document may be photocopied, reproduced or translated into another language without the prior written consent of Stratasys, Inc.

All drawings and information herein are the property of Stratasys Inc. All unauthorized use and reproduction is prohibited.

## TRADEMARK ACKNOWLEDGMENTS

Stratasys, Dimension, WaveWash, Ecoworks, and FDM are registered trademarks of Stratasys, Inc. CatalystEX, FDM Technology, Smart Supports, and ABS*plus* are trademarks of Stratasys, Inc.

All other product names and trademarks are the property of their respective owners, and Stratasys assumes no responsibility with regard to the selection, performance, or use of these non-Stratasys products. Product specifications subject to change without notice.

# TABLE OF CONTENTS

<b>1 INTRODUCTION</b> .....	<b>1</b>
HOW TO USE THIS MANUAL .....	1
LEARN MORE .....	1
RECYCLING .....	1
SAFETY PRECAUTIONS .....	2
<b>2 OVERVIEW</b> .....	<b>4</b>
<b>3 SETUP</b> .....	<b>9</b>
UNPACKING .....	9
Unpack the printer .....	9
INSTALLING FORKLIFT ACCESS COVERS .....	11
NETWORKING THE PRINTER .....	12
Connecting through a network .....	12
Connecting directly to a workstation .....	13
POWER CONNECTIONS .....	14
POWERING ON THE PRINTER .....	15
INSTALLING SOFTWARE .....	17
Installing CatalystEX .....	17
Installing System Software to the workstation .....	17
ESTABLISHING NETWORK COMMUNICATION WITH THE PRINTER .....	18
Establishing communication on a dynamic network .....	18
Establishing communication on a static network .....	18
Installing System Software on printer .....	21
INSERT MODELING BASE .....	22

VERIFYING TIP DEPTH .....	23
To verify tip depth .....	23
<b>4 OPERATION .....</b>	<b>25</b>
DISPLAY PANEL AND KEYPAD .....	25
SYSTEM SOFTWARE OVERVIEW .....	26
CATALYSTEX OVERVIEW .....	27
PROCESSING YOUR STL FILE FOR PRINTING .....	28
Opening your STL file with CatalystEX .....	28
Selecting layer resolution .....	28
Selecting model interior fill style .....	28
Selecting support style .....	28
Selecting the scale of your STL file .....	29
Selecting the orientation of your STL file .....	29
Adding your STL file to the pack .....	29
Printing your STL file .....	30
INSERTING A MODELING BASE .....	30
BUILDING A PART .....	30
Starting a build from a remote location .....	30
Starting a build from the display panel .....	30
LOADING MATERIAL .....	31
Load material cartridges .....	31
UNLOADING MATERIAL .....	33
Unload material cartridges .....	33
BUILDING A TEST PART .....	34
Build a test part .....	34
THE DISPLAY PANEL DURING BUILD .....	34
CHAMBER LIGHTS .....	34
PAUSING BUILD .....	35
RESUMING BUILD FROM PAUSE MODE .....	35
RESUMING OPERATIONS FROM STANDBY MODE .....	35
Continue operation from Standby mode .....	35
CANCELING A JOB .....	36

Cancel a job.....	36
AUTO POWER DOWN .....	36
Canceling auto power down .....	36
POWERING OFF .....	36
REMOVING A COMPLETED PART .....	37
Remove a completed part from the system .....	37
Remove a completed part from the modeling base .....	37
REMOVING SUPPORT MATERIAL .....	37
Soluble Supports .....	37
<b>5 MAINTENANCE .....</b>	<b>38</b>
STARTUP KIT TOOLS.....	38
PREVENTIVE MAINTENANCE .....	38
Daily.....	38
500 HOUR MAINTENANCE.....	40
Clean Fan Filter .....	41
Tip Wipe Assembly (Brush/Flicker Assembly).....	42
AS NEEDED MAINTENANCE .....	44
Chamber Lamp Replacement.....	44
Tip Shroud Replacement.....	44
<b>6 TROUBLESHOOTING .....</b>	<b>48</b>
TROUBLESHOOTING CHECKLIST.....	48
FAULT DETERMINATION CODES .....	49
EXPORTING PRINTER CONFIGURATION (.CFG) FILE.....	49
Exporting configuration file from printer.....	49
CYCLING POWER.....	50
LOSS OF EXTRUSION.....	50
Diagnose loss of extrusion .....	50
Recovering From Loss of Extrusion .....	51
<b>7 SUPPORT .....</b>	<b>56</b>

CUSTOMER SUPPORT .....	56
<b>8 RECYCLING .....</b>	<b>57</b>
RECYCLING CODES.....	57
<b>9 PRINTER SPECIFICATIONS.....</b>	<b>58</b>
PHYSICAL SPECIFICATIONS.....	58
FACILITY SPECIFICATIONS.....	58
WORKSTATION SPECIFICATIONS.....	58
POWER SPECIFICATIONS.....	58
ENVIRONMENTAL SPECIFICATIONS .....	58
<b>10 SUPPLEMENTAL INFORMATION .....</b>	<b>59</b>
UNINTERRUPTIBLE POWER SUPPLY (UPS) .....	59
Use and Installation .....	59
General Information.....	59
Electrical Interface Connection.....	59
Parts List – Cable, UPS to 3D Printer.....	60
DECLARATION OF CONFORMITY.....	62
REGULATORY AND ENVIRONMENTAL INFORMATION.....	62
EMC Class A Warning .....	62
FCC Statements (U.S.A.) .....	62
Canada Electromagnetic compatibility (EMC) .....	63
MSDS (Material Safety Data Sheet).....	63
Disposal of waste equipment by users in private households in the European Union .....	63

# 1 INTRODUCTION

Dimension Elite is designed with ultimate simplicity in mind. The system enables you to build parts quickly, even if you have never used a 3D printer before.

The system models with ABS*plus*<sup>™</sup> plastic, so modeled parts are strong and durable. ABS*plus* also ensures that you will be able to drill, tap, sand, and paint your creations. With the speed and convenience of Soluble Support Technology, completed parts are quickly available for review and test.

Dimension Elite is an innovative combination of proprietary hardware, software, and material technology.

## HOW TO USE THIS MANUAL

This User's Guide is laid out in easy to follow sections which cover Set-up, Operation, Maintenance, and Troubleshooting. Be sure to read each section carefully so that you will get the best performance from your system.

Throughout this User Guide, text representing **Interface Messages** that appear on the display panel are presented in a bold font.

## LEARN MORE

An electronic User Guide is available on the User Guide CD. This guide provides information on the following topics:

- Troubleshooting information
- Important safety notices and regulatory information
- Detailed user instructions

You can also find more information at: <http://www.dimensionprinting.com> or email [info@stratasys.com](mailto:info@stratasys.com).

## RECYCLING

Visit <http://www.stratasys.com/recycle> for recycling information.

# SAFETY PRECAUTIONS

The following precautions ensure the proper use of the printer and prevent the printer from being damaged. Follow these precautions at all times.

- Use the power supply voltage specified on the nameplate. Avoid overloading the printer's electrical outlet with multiple devices.
- Ensure the printer is well-grounded. Failure to ground the printer may result in electrical shock, fire and susceptibility to electromagnetic interference.
- Before disassembling or repairing the printer yourself, contact your local Service Representative. See Support section of User Guide.
- Use only the power cord supplied with the printer. Do not damage, cut or repair the power cord. A damaged power cord has risk of fire and electric shock. Replace a damaged power cord with an approved power cord.
- Do not allow metal or liquids to touch the internal parts of the printer. Doing so may cause damage, fire, electric shock or other serious hazards.
- Power off the printer and disconnect the power cord from the power outlet in any of the following cases:
  - If there is smoke or an unusual smell coming from the printer.
  - If the printer is making an unusual noise not heard during normal operation.
  - A piece of metal or a liquid touches the internal parts of the printer.
  - During an electrical (thunder/lightning) storm
  - During a power failure

The following classifications are used throughout this guide.



**Caution:** Indicates a potentially hazardous situation which, if not avoided, may result in minor or moderate injury.

---



**Warning:** Indicates a potentially hazardous situation which, if not avoided, could result in serious injury.

---



**Hot Surface:** The hot surface sign indicates the presence of devices with high temperatures. Always use extra care, and wear safety gloves, when working around heated components

---



**Gloves:** When performing some maintenance procedures, the machine may be hot and gloves will be required to avoid burns.

---



**Safety Glasses:** Wear safety glasses to avoid injury to your eyes.

---



**Recycle:** Use proper recycling techniques for materials and packaging.

---





**ESD:** Use standard electrostatic discharge (ESD) precautions when working on or near electrical components.

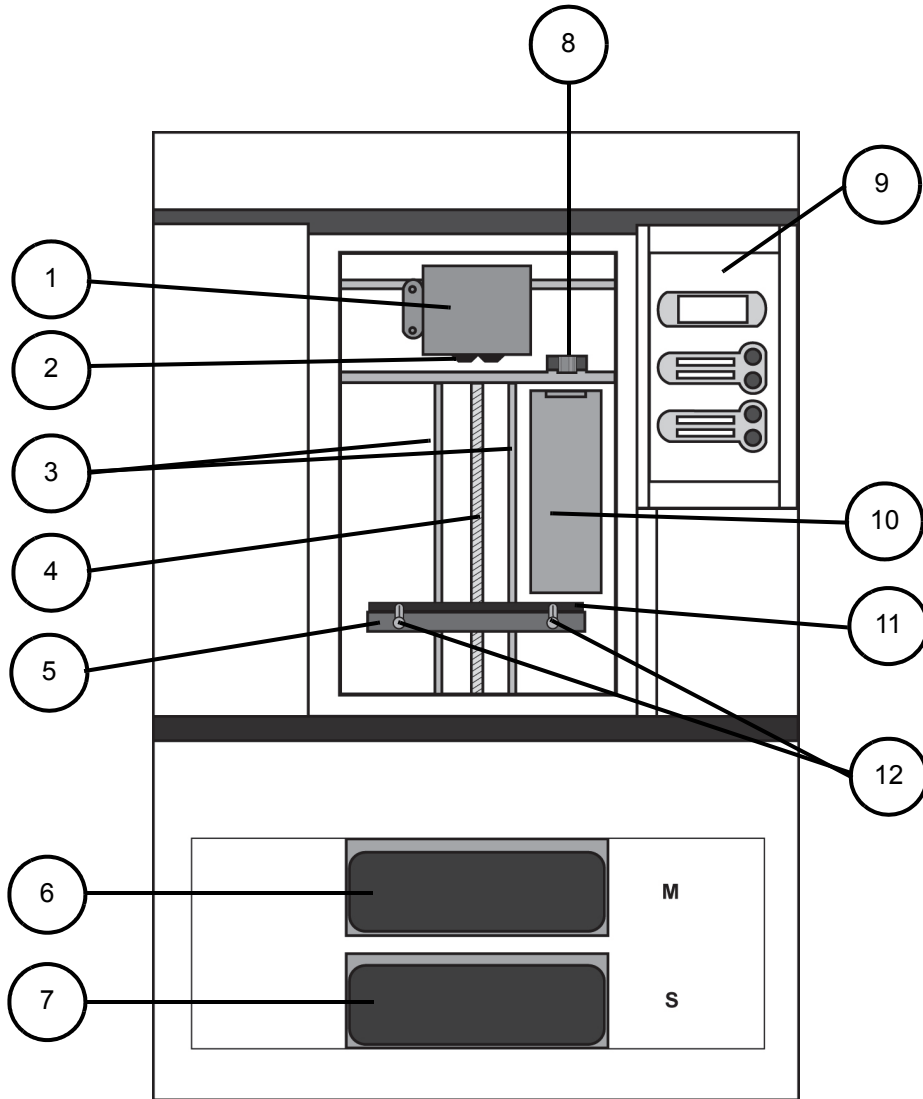
## 2 OVERVIEW

Dimension Elite builds models, including internal features, from CAD STL files. The system builds three-dimensional parts by extruding a bead of ABS plastic through a computer-controlled extrusion head, producing high quality parts that are ready to use immediately after completion. With two layer resolution settings, you can choose to build a part quickly for design verification, or you can choose a finer setting for higher quality surface detail.

The Dimension Elite system consists of two primary components — the Dimension Elite 3D printer and CatalystEX. CatalystEX is the preprocessing software that runs on a Windows Vista or Windows 7 platform.

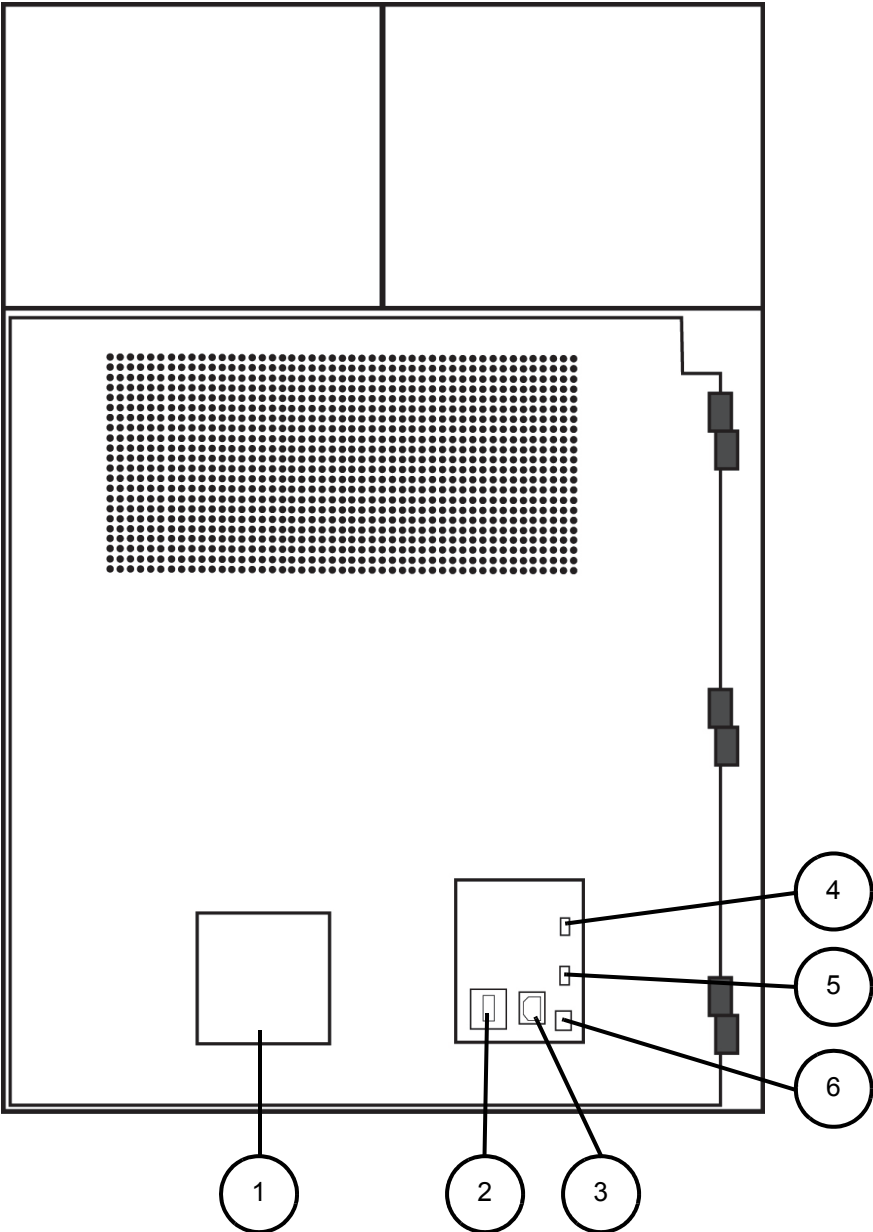
Dimension Elite's build envelope measures 203 x 203 x 305 mm (8 x 8 x 12 in). Each material cartridge contains 922 cc (56.3 cu. in.) of usable material — enough to build continuously for about four days without reloading.

Figure 2-1: Front view



1	Extrusion head	7	Support material cartridge
2	Extrusion tips	8	Tip wipe assembly
3	Guide rods	9	Display panel
4	Lead screw	10	Purge container
5	Z stage platen	11	Modeling base
6	Model material cartridge	12	Modeling base retainers (2)

Figure 2-2: Rear view



1	Fan cover	4	UPS connection
2	Circuit breaker	5	Diagnostic connection
3	AC power input	6	RJ-45 Network cable connection

Figure 2-3: Material cartridge

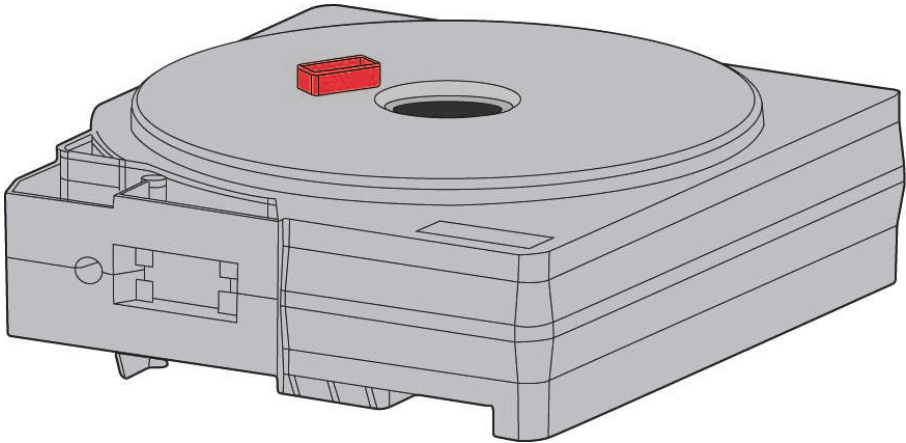
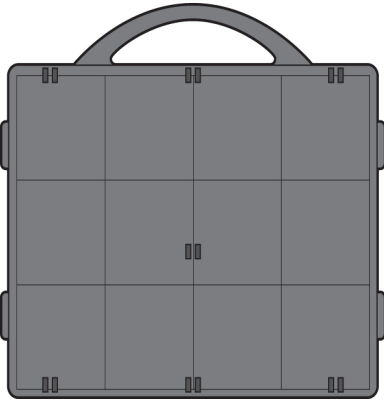



Figure 2-4: Modeling base



Modeling base

---

 **Caution:** DO NOT reuse modeling bases. If a modeling base is reused, calibration errors, poor part quality, and loss of extrusion may occur. Additional modeling bases are available from your reseller.

---

Figure 2-5: Startup Supplies



1	Insulated Leather Gloves (Pair)	13	1/4" Nut Driver
2	Power Cord (Europe)	14	Bronze Brush
3	Power Cord (U.S.)	15	Glue Brush
4	Crossover Cable (Orange)	16	Needle Nose Pliers
5	Network Cable (Blue)	17	Cutters
6	Tip Shroud	18	Allen Wrench Set
7	Flicker (x5)	19	Modeling base (6)
8	Flicker Brush	20	Dimension System Software CD
9	Halogen Lamps (x2)	21	CatalystEX CD
10	10x Magnifier Loupe	22	Dimension Elite User Guide CD
11	Anti-Seize Lubricant	23	P430 Model Material Cartridge (1)
12	Phillips Screwdriver	24	P400 SR Soluble Support Material Cartridge (1)

# 3 SETUP

## UNPACKING

This section describes the recommended procedures for unpacking and preparing the printer for its first use.

### UNPACK THE PRINTER



**Warning:** The printer weighs approximately 128 kg (282 lbs). Use proper moving and lifting techniques when positioning the unit. For your convenience, there are forklift pads built into the bottom of the unit. They are accessible from the side of the unit.

---

1. Before unpacking the printer, move it near to its operating location.
2. Remove the plastic banding from around the cardboard.
3. Remove the top cover. Set aside the fork access covers (2) and bag of screws (2).
4. Remove screws (4) that attach cardboard to pallet and remove the cardboard side panels.
5. Remove the top foam.
6. Remove outer plastic wrap - use care if using a knife so as to not scratch the printer.
7. Remove the foam door channels (2) and tape.



**Warning:** The Lead Screw and Guide Rods are lubricated with a thin coat of Krytox grease. Krytox grease can cause skin irritation. Be careful not to get the grease on your hands or clothing.

---



**Caution:** Remove the foam tubes that isolate the extrusion head from the frame, see [Figure 3-1](#). The printer will be damaged if powered on with the foam tubes in place.

---

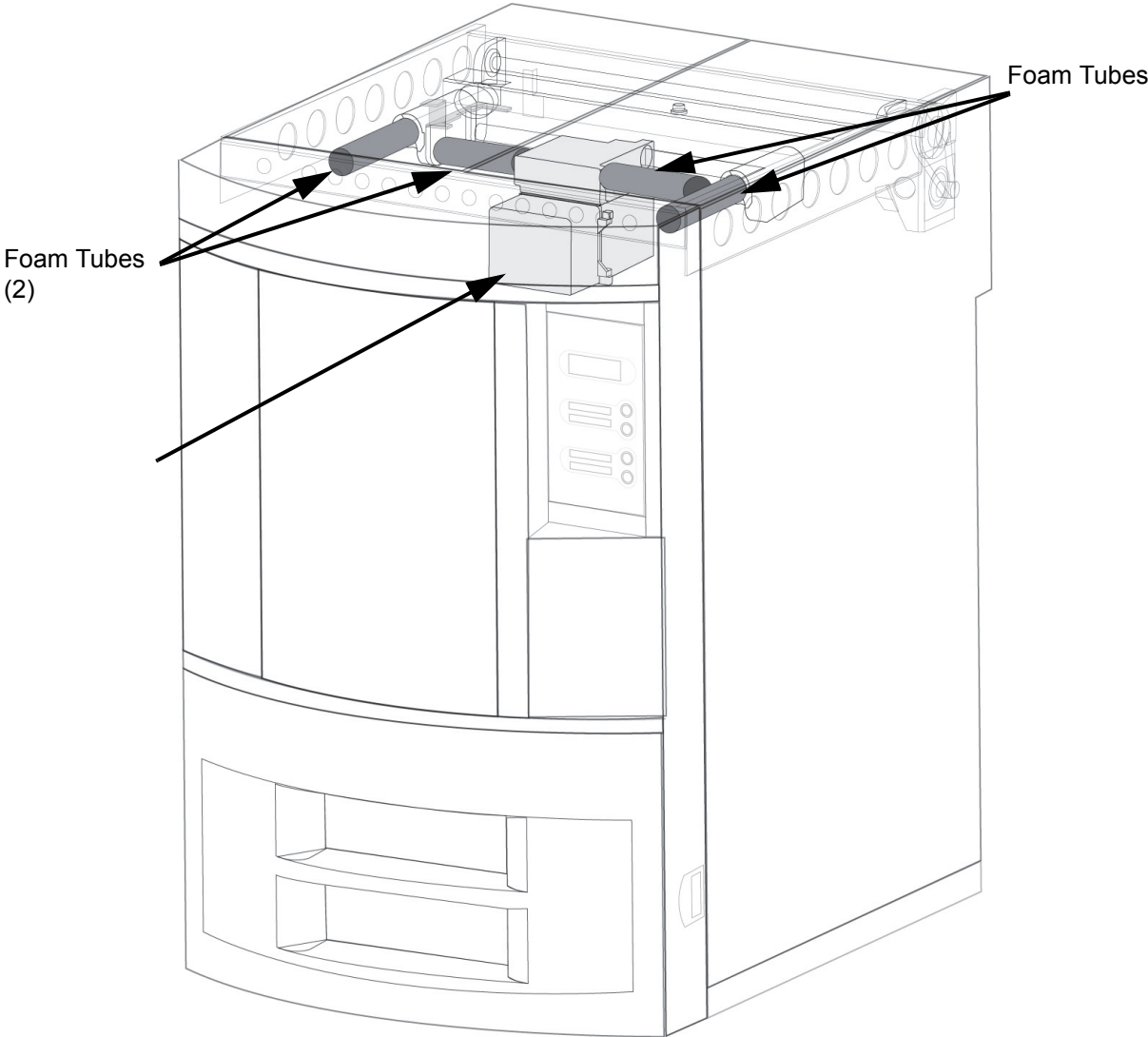


**Caution:** Be careful not to damage the rod sensors when removing the foam tubes, see [Figure 3-1](#).

---

8. Remove the foam tubes that isolate the extrusion head from the frame, see [Figure 3-1](#).

Figure 3-1: Foam tubes isolating the extrusion head from the XY-axis frame



9. After unpacking, inspect the printer and report any shipping damage to the carrier.

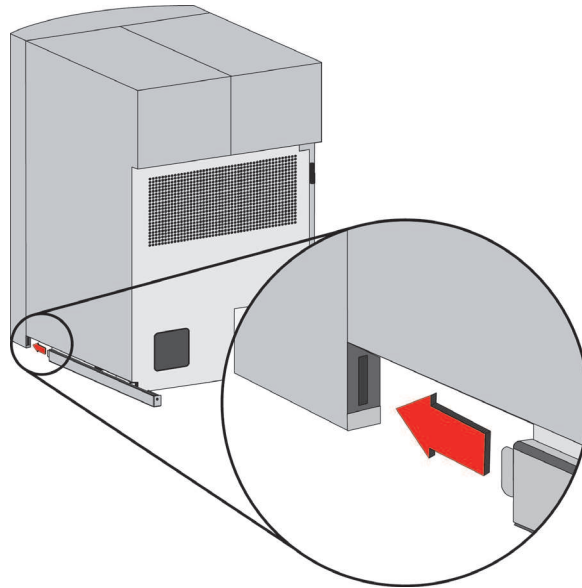


# INSTALLING FORKLIFT ACCESS COVERS

The forklift access covers can be placed over the forklift channels after the printer is placed in its final location. The covers are press-fit in the front and held in place with one screw in the rear.

1. Align the left and right side fork lift covers with the forklift channel and slide the tabs into the slots. See [Figure 3-2](#).

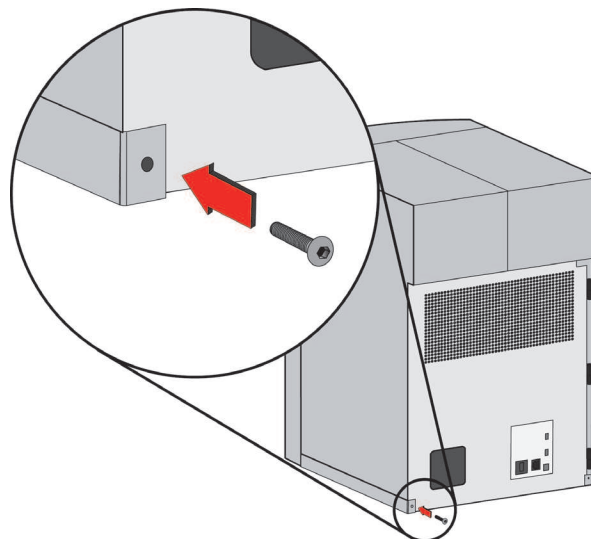
[Figure 3-2](#): Installing the forklift access covers



Insert tab in slot and push cover toward front of printer

2. Push the forklift covers in until they are flush with the back of the printer and install the mounting screws using a  $\frac{1}{8}$ " Allen wrench from the Startup Kit. See [Figure 3-3](#).

[Figure 3-3](#): Installing forklift access cover mounting screws



Attach screw at back of printer

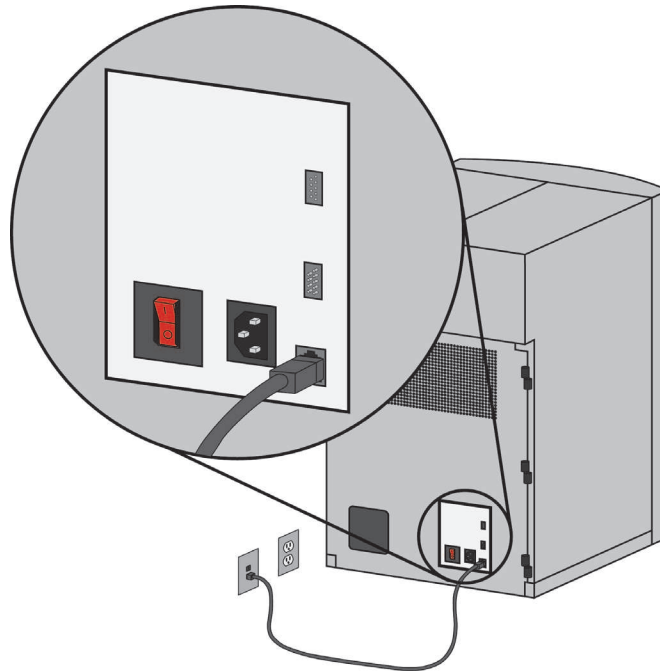
# NETWORKING THE PRINTER

There are two methods of connecting your printer to your workstation, over a network or with a direct connection to your workstation.

## CONNECTING THROUGH A NETWORK

1. Locate the network cable (blue) from the startup kit.
2. Connect the network cable between the printer and the network hub. See [Figure 3-4](#).

[Figure 3-4](#): Connecting through a network

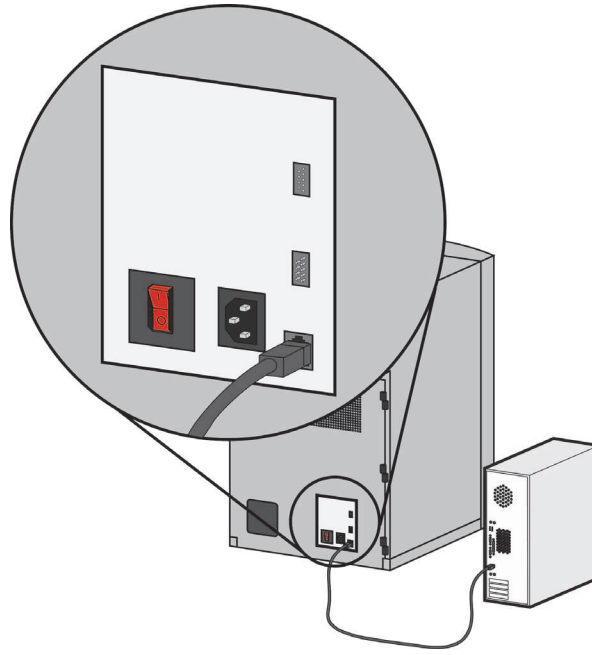


3. Establish communication, see [“Establishing communication on a dynamic network”](#) on page 18 if you have a dynamic network, or see [“Establishing communication on a static network”](#) on page 18 if you have a static network.

## CONNECTING DIRECTLY TO A WORKSTATION

1. Locate the crossover cable (orange) from the startup kit.
2. Connect the crossover cable between the printer and the network port on your workstation. See [Figure 3-5](#).
3. Establish communication, see [“Establishing communication on a static network”](#) on page 18.

Figure 3-5: Connecting directly to a workstation



# POWER CONNECTIONS

This section discusses the procedure for preparing all power connections for the printer.



**Caution:** Before connecting power to the printer, make sure that the circuit breaker is in the off (down) position. It is located at the rear of the printer, next to the power cord attachment point.

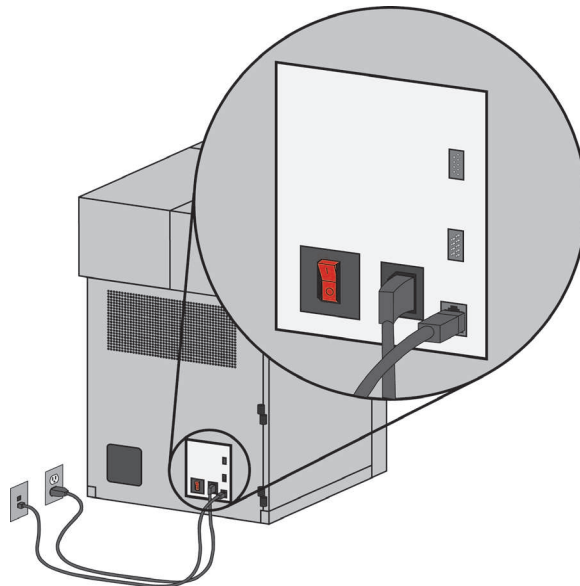
The printer is provided with two power cords: one for 110V (U.S. power cord) and one for 220V (Europe power cord).

1. Connect the male end of the supplied power cord directly into a grounded electrical outlet, as shown in [Figure 3-6](#). (If using a Uninterrupted Power Supply (UPS), connect the cord directly into the UPS.)
2. Connect the female end of the power cord directly into the rear of the cabinet. See [Figure 3-6](#).



**Caution:** Do not use an extension cord or power strip with the printer. Connect the cord directly into the receptacle or UPS.

[Figure 3-6: Connecting power](#)



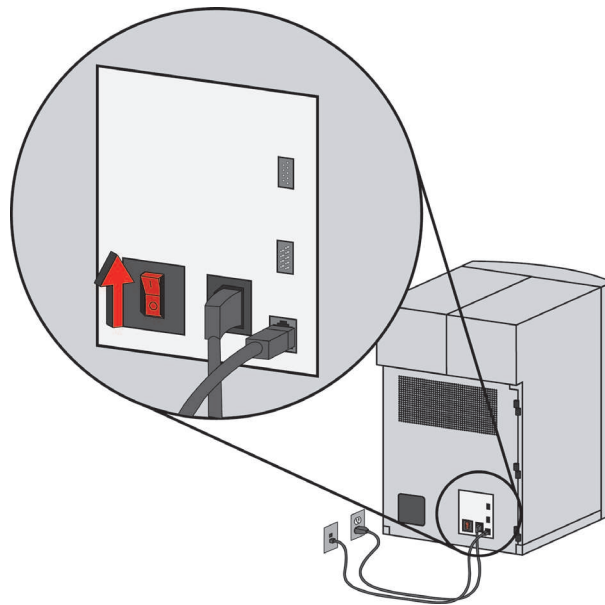
# POWERING ON THE PRINTER



**Warning:** The build chamber and extrusion-head tip get very hot! The chamber and head tip reach temperatures of approximately 75°C (167°F) and 280°C (536°F) respectively. Personal injury can occur if proper techniques and safety materials are not used. Use the leather safety gloves provided in the Startup Kit when working inside the printer.

1. Switch the circuit breaker to the on (I) position. Power is now supplied to the system. The system is ready to be 'Powered ON'. See [Figure 3-7](#).

Figure 3-7: Location of circuit breaker



2. Turn the power switch to the on (I) position. See [Figure 3-8](#). After the switch is pushed, the system boots up in three to seven minutes.

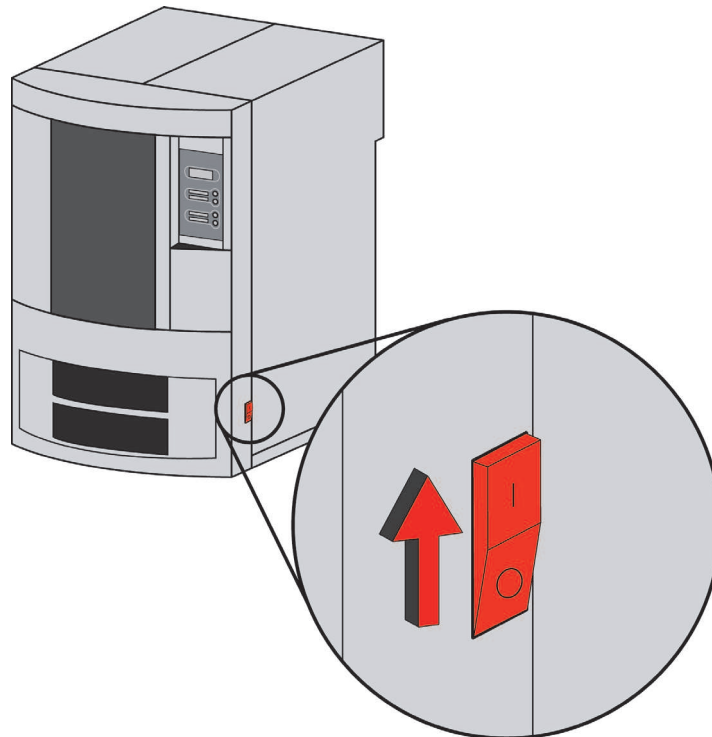


**Note:** If the printer was off and is at room temperature, it requires approximately 40 minutes to warm up before you can perform any functions. Temperatures are factory-preset and not adjustable. The panel displays the head and envelope temperatures while the system is warming up and cooling down.



**Note:** For safety, the head and Z Platform do not move while the chamber door is open. During warm-up and operation the door is locked. The door can be opened only when the system is not building a part, getting ready to build a part, or in Pause mode.

Figure 3-8: Location of power switch



# INSTALLING SOFTWARE

There are two software programs that work with the printer:

1. CatalystEX, installed on your workstation, processes the STL files for printing and communicates with the printer from your workstation.
2. System software, the operating software installed on the printer, controls printer functions.

## INSTALLING CATALYSTEX

1. Locate the CatalystEX CD from startup kit and insert into workstation (PC).
2. Click the **Install CatalystEX:** button.
3. Follow prompts to finish loading CatalystEX on the workstation.

## INSTALLING SYSTEM SOFTWARE TO THE WORKSTATION

1. Insert the System Software CD into the CD drive of your workstation.
2. Click the **Install** button to load system software to your workstation. You will be asked to load this software to your printer later.
3. Follow prompts to finish installing system software on the workstation.
4. Install system software to the printer, see [“Installing System Software on printer” on page 21](#)

# ESTABLISHING NETWORK COMMUNICATION WITH THE PRINTER

You will need to establish network communication between your workstation and printer before you can send files to be built. How you establish this communication with an IP address is dependent upon how your network and workstation are configured. If your network is configured for DHCP (Dynamic Host Configuration Protocol), your DHCP server will automatically assign a Dynamic IP address to your printer. This is the default setting for your printer and commonly used in large networks. In some situations you may need to manually enter a Static IP address for your printer and record the IP address in the CatalystEX software. Static IP addresses are frequently used for smaller networks or for direct connection between your workstation and printer. Follow the instructions below to configure your workstation and network.

## ESTABLISHING COMMUNICATION ON A DYNAMIC NETWORK

If you are on a dynamic network (or not sure of your network type) follow these steps to allow CatalystEX to find your printer and establish communication.

1. Connect a network cable between the printer and a network hub.
2. Make sure the printer is ON and determine the Unique Device Name (UDN) for your printer.
  - A. From **Idle** (or **Ready to Build**), press **Maintenance** on the display panel. The display will show **Maintenance** and the software version.
  - B. From the display panel press **System**.
  - C. From the display panel press **Set Network**. The top window will display: **Network Admin - Dynamic IP Address; UDN**.
  - D. The Unique Device Name (UDN) for your printer is listed here. This is preset at the factory and cannot be changed.
3. From your workstation, start CatalystEX.
4. From the **General** tab, click the **Manage 3D Printers** button.
5. Click the **Add from Network** button in the lower right corner of the window.
6. A new window, **Add 3D Printer**, should list your printer in the main window (identified by its UDN). Click on the printer in this window and enter a name and location in the lower portion of the window.
7. Click **Add Printer** and you are ready to print. Close the **Add 3D Printer** window.



**Note:** If your printer is not displayed in the “Add 3D Printer” window, you are not using a dynamic network and you will need to set up a static network address.

---

## ESTABLISHING COMMUNICATION ON A STATIC NETWORK

If you are using a static network or connecting the printer directly to a workstation, you will need to enter the static IP address information into the workstation and the printer. If you are using a static network and your computer already has network access, see [“Setting the static network on printer” on page 19](#).

1. Set the static IP address information in the workstation:
  - A. For Windows Vista, see [“Setting the static network in Windows Vista” on page 19](#).
  - B. For Windows 7, see [“Setting the static network in Windows 7” on page 19](#).
2. Set the static IP address information in the printer, see [“Setting the static network on printer” on page 19](#).
3. Establish communication, see [“Establish communication” on page 20](#).



## SETTING THE STATIC NETWORK IN WINDOWS VISTA

1. From your workstation click on the **Start Menu**.
2. Click on the **Control Panel** button.
3. Double click on **Network and Internet**.
4. Double click on the **Network and Sharing Center** icon.
5. Left click on **Manage network connections**.
6. Right click on the **Local Area Connection** icon then left click on **Properties**.
7. Select **Internet Protocol Version 4 (TCP/IPv4)** from the list.
8. Click on the **Properties** button.
9. Click on the **Use the following IP address** option.
10. Enter the IP address, Subnet Mask and Default Gateway. Contact your IT Administrator or Internet Service Provider for details regarding IP address information. The IP address should be different from the workstation, the default gateway and subnet mask should match the workstation. Enter the IP address, default gateway and subnet mask.
11. Click on the **OK** button when finished. Close any open networking windows.

## SETTING THE STATIC NETWORK IN WINDOWS 7

1. From your workstation click on the **Start Menu**.
2. Click on the **Control Panel** button.
3. Double click on **Network and Internet**.
4. Double click on the **Network and Sharing Center** icon.
5. Double click **Local Area Connection**.
6. Click on the **Properties** button.
7. Select **Internet Protocol Version 4 (TCP/IPv4)** from the list.
8. Click on the **Properties** button.
9. Click on the **Use the following IP address** option.
10. Enter the IP address, Subnet Mask and Default Gateway. Contact your IT Administrator or Internet Service Provider for details regarding IP address information. The IP address should be different from the workstation, the default gateway and subnet mask should match the workstation. Enter the IP address, default gateway and subnet mask.
11. Click on the **OK** button when finished. Close any open networking windows.

## SETTING THE STATIC NETWORK ON PRINTER

1. Obtain your static network address from your Network Administrator.
2. From **Idle** (or **Ready to Build**), press **Maintenance** on the display panel. The display will show **Maintenance** and the software version.
3. Press **System**.
4. Press **Set Network**. The top window displays: **Network Admin - Static IP Address; UDN**.
5. Press **Static IP** to display default settings.

IP Address:        172.016.075.020 or 198.000.000.001  
NM Address:       255.255.000.000  
GW Address:       172.018.100.002



**Note:** These values are the factory defaults and **MUST** be changed. If these values are not changed the printer will continue to restart until they are changed.

---



**Note:** The IP address should be different from the workstation. The default gateway and subnet mask should match the workstation. Enter the IP address, default gateway and subnet mask.

---

6. Update the IP address:
  - Press **Increment** to increase the value one digit at a time.
  - Press **Next Digit** to move the cursor one place to the right.
  - Press **Last Digit** to move the cursor one place to the left.
7. Use the three functions listed above to set your IP address.
8. After setting the final digit of the Internet Protocol (IP) address, move the cursor one more place to the right. The cursor moves to the Netmask (NM) address. Follow the same steps for setting the Netmask (NM) and Gateway (GW) addresses.
9. When you have finished setting the addresses, press **Done**. The display will show: **Change IP, Netmask and Gateway?**.
10. Press **Yes**. The panel then displays **Resetting Network..**
11. Press **Done** until **Idle** is displayed.

## ESTABLISH COMMUNICATION

1. From your workstation, start CatalystEX.
  - A. From the **General** tab, click the **Manage 3D Printers** button.
  - B. Click the **Add from Network** button in the lower right corner of the window.
  - C. A new window, **Add 3D Printer**, should list your printer (identified by its UDN). Click on the printer in this window and enter a name and location of your choice in the lower portion of the window.
  - D. Click **Add Printer** to complete. Close the **Add 3D Printer** window.
2. If your printer is not displayed in the **Add 3D Printer** window, you will need to add the printer IP address manually.
  - A. From the **General** tab, click the **Manage 3D Printers** button.
  - B. Click the **Add Manually** button in the lower right corner of the window.
  - C. In the **Add 3D Printer** window, enter a name and location of your choice in the appropriate fields.
  - D. Enter the IP Address for your printer in the appropriate field. It will be the same address as entered in step 6.
  - E. Select your printer type from the drop down list.



**Note:** If you only have one printer connected, it will be the only printer in the list.

---

- F. Click **Add Printer** and close the **Add 3D Printer** window.
3. If you are unable to connect the printer to your workstation, contact your Network Administrator.

## INSTALLING SYSTEM SOFTWARE ON PRINTER

1. From the display panel, press **Maintenance**.
2. Press **System**.
3. Press **Load Upgrade**. “**Send upgrade from workstation**” and the printer IP address will be displayed.
4. From your workstation, open CatalystEX by double clicking on the CatalystEX icon.
5. Click the **Printer Services** tab.
6. Select your printer from the drop down list then click the **Update Software** button.
7. Navigate CatalystEX to the directory where the system software file is located and select the Elite.upg file. System software will now begin to download to the printer.



**Note:** Default system software location for 32-bit systems:

**C:\Program Files\ Dimension\Elite<version>**

Default system software location for 64-bit systems:

**C:\Program Files(x86)\ Dimension\Elite<version>**

---

8. When verification is complete, the printer display will show **Reboot to complete upgrade?** Press **Yes**. The printer will then load the system software then reboot and return to **Idle**.



**Note:** Loading system software will take approximately 10 minutes.

---

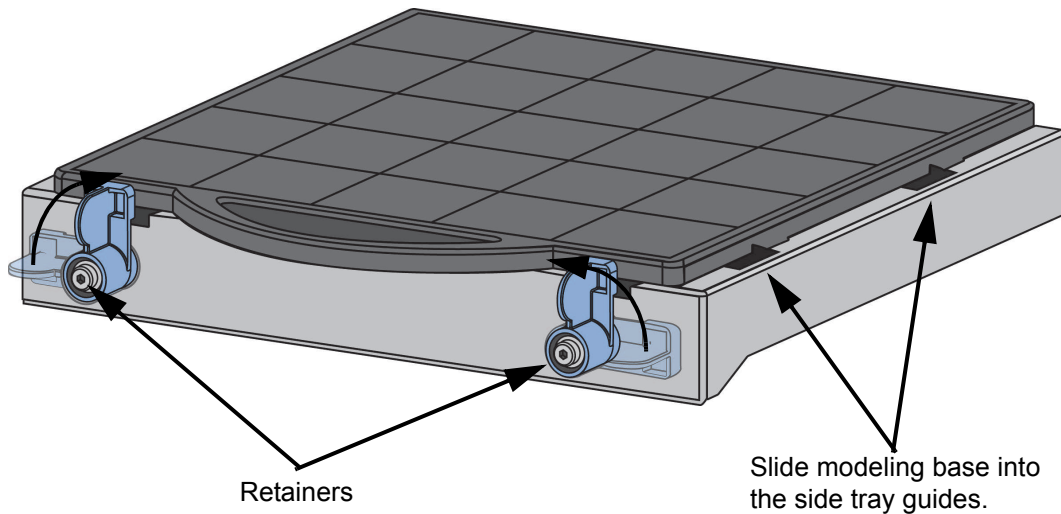
# INSERT MODELING BASE

Make sure retainers are turned 'down' so as not to interfere with the modeling base installation. Set the modeling base on the Z Stage Platen aligning the tabs on the modeling base with the slots on the metal tray. Slide the modeling base toward the back of the unit until its front edge (with the handle) is flush with the front edge of the tray, see [Figure 3-9](#). Secure the base with the two retainers by turning them up.



**Note:** When inserting and removing the modeling base, use the handle to avoid touching the top surface. Grease and oil that contact the top build surface could cause poor part adhesion. You can clean the build surface with isopropyl alcohol if necessary.

Figure 3-9: Inserting a modeling base



# VERIFYING TIP DEPTH

The system's tip depth has been set at the factory and normally does not need adjustment. During shipment, however, tip depth may shift. Customers that setup and install their own systems need to verify the tip depth setting prior to building. Building with the wrong tip depth can result in models not adhering to the modeling base or a loss of extrusion.

## TO VERIFY TIP DEPTH

1. Install an unused modeling base.
2. Load Model and Support material, see “Loading Material” on page 31.
3. Press **Maintenance**.
4. Press **System**.
5. Press **Test Parts**, and select *test\_tipdp*.

The printer will create six groups of numbers on the modeling platform. Each individual group will consist of four number pairs. Each number pair will have an extruded number and an etched number. Each number pair is created at one of four Z-heights: -5, 0, +5, and +10 (in .001 inches from 'home' level). See [Figure 3-10](#).



**Note:** The etched number is created by the idle tip. It is normal for only some of these numbers to be visible. The extruded number is created at a very low flow rate and may not show up clearly.

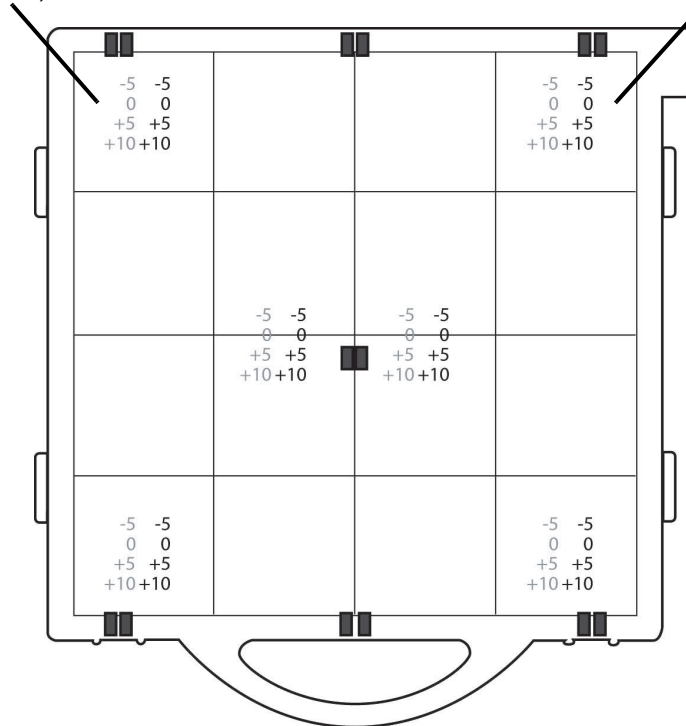
Figure 3-10: Modeling base with test\_tipdp.cmb model

Extruded Numbers

(left side set of numbers)

Etched Numbers

(right side set of numbers)



6. Evaluate the **etched** numbers in each of the six groups. The etched numbers must meet the following criteria:
  - -5 must be visible in at least one of the six groups.
  - +10 must **not** be visible in any of the six groups.



**Note:** The etched numbers can be difficult to see. It may be necessary to tilt the modeling base to the light for inspection. It is acceptable for some groups to have NO visible etched numbers. To meet the criteria, only one of the six groups must have a visible -5.

---

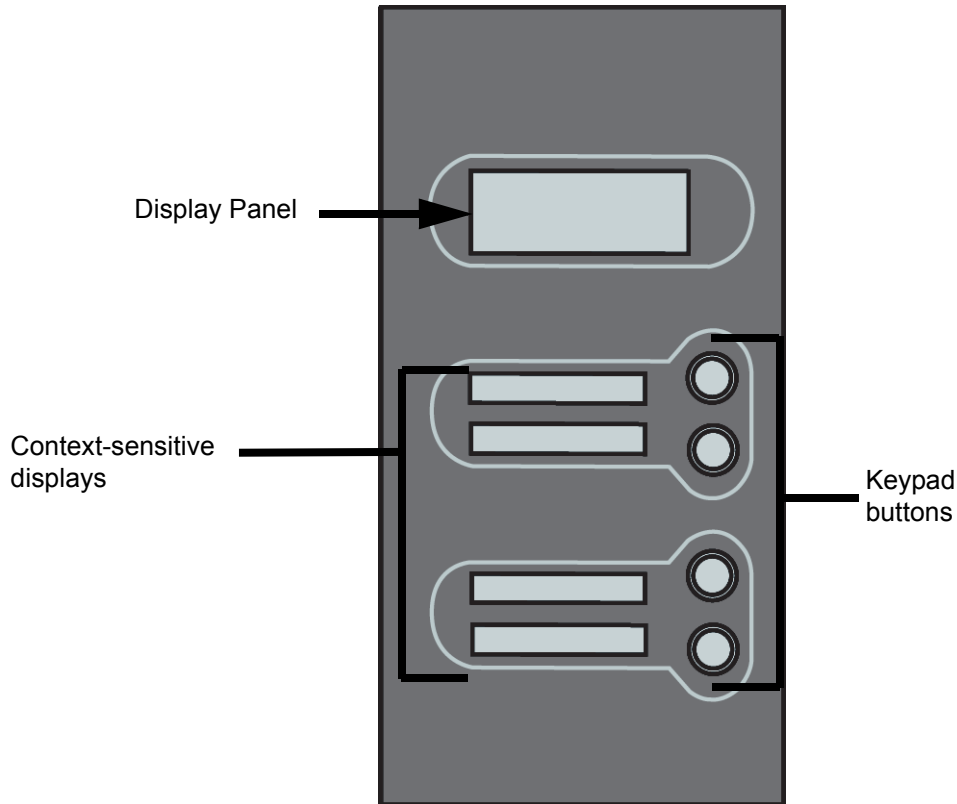
7. If the tip depth does not meet the above criteria, run the model a second time on a second unused modeling base and evaluate again.
8. If the tip depth again fails the above criteria, contact your Dimension service provider for more information on adjusting tip depth.

# 4 OPERATION

## DISPLAY PANEL AND KEYPAD

The main User Interface to the printer is the Display Panel and Keypad, see [Figure 4-1](#).

Figure 4-1: Display panel and keypad



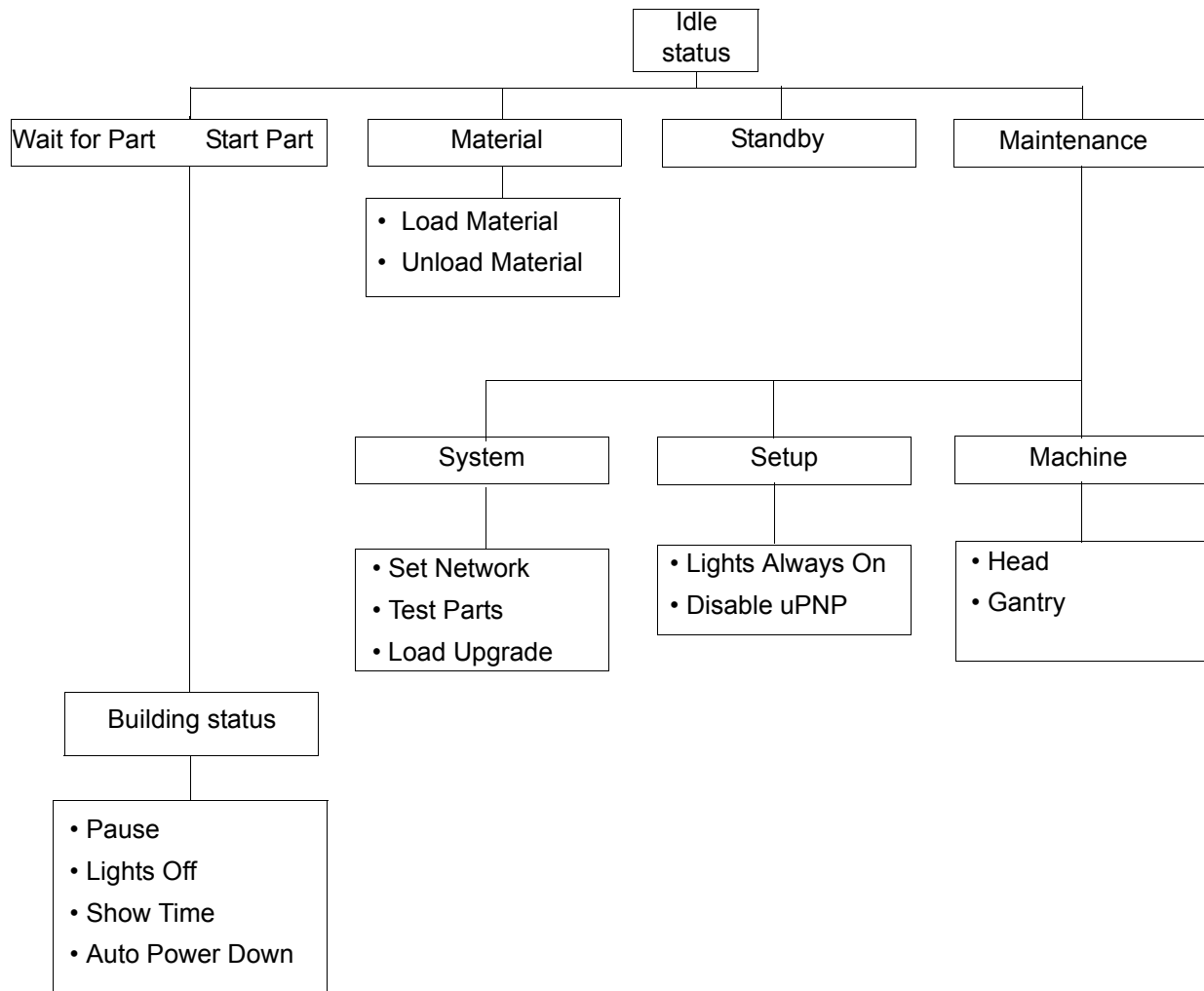
The display panel and keypad are very easy to use, consisting of a larger multiple-line LCD display on top, and four single-line context-sensitive displays, each with one button (or key). The top line in the large display always reveals the printer status. The lower three lines of the large display show details related to the current operation.

At times there will be an item blinking in the lower (context-sensitive) displays. The blinking item is usually the most logical selection.

# SYSTEM SOFTWARE OVERVIEW

- **Idle:** If there is no part being built and no part in the build queue, the display will show that the printer is **Idle**.
- **Wait for Part** or **Start Part:** If the printer is in Idle and the build queue is empty, you can set it to wait for a part. If the printer has a part in the build queue, you can press **Start Part** to start a build.
- **Building:** If the printer is building a part, you can choose to pause, set the lights either ON or OFF, view the print time or material remaining and set the printer to auto power down.
- **Material:** From this section you can load material or unload material.
- **Standby:** From this section you can set the printer to Standby mode.
- **Maintenance:** From this section you can make changes to the **System, Setup** or **Machine**.

Figure 4-2: Display panel hierarchy

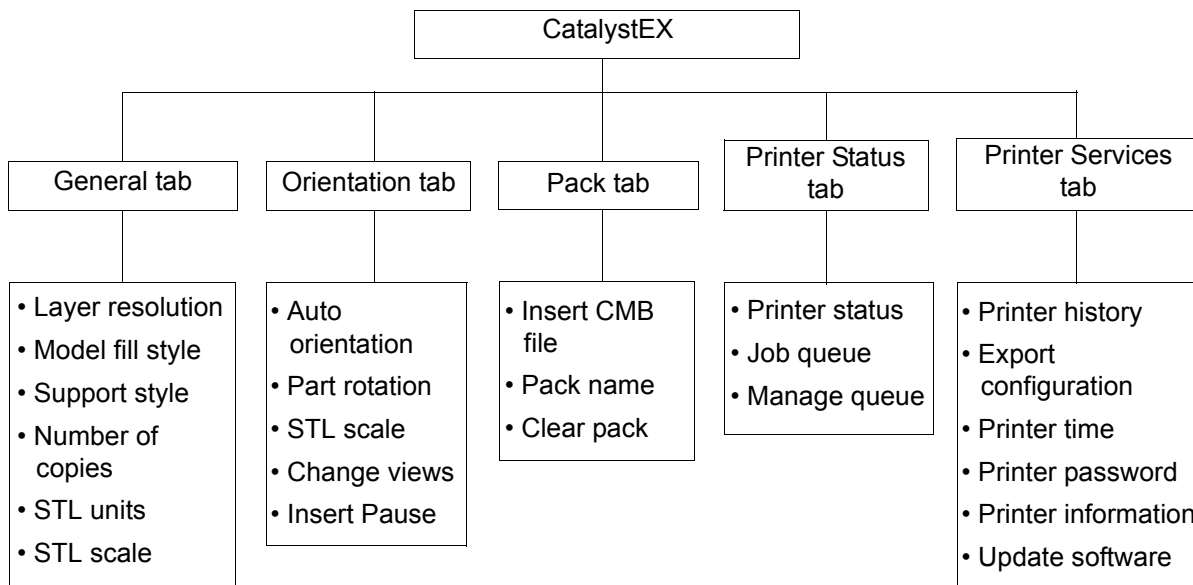




# CATALYSTEX OVERVIEW

- **General tab:** This section is where you can select the model fill style, support style, change the STL units and STL scale.
- **Orientation tab:** This section allows you to rotate, resize and auto-orient your parts. You can also change the view and insert a pause.
- **Pack tab:** This section shows you which parts are in the pack for printing. You can add parts, arrange the parts for a better fit or clear the pack from this section.
- **Printer Status tab:** This section shows you the amount of material remaining (both model and support) as well as which parts are in the Build Queue.
- **Printer Services tab:** From this section you can check the printer history, set the printer time, set the printer password, update printer software, get printer info and export configuration files (files containing specific operating information regarding the printer).

Figure 4-3: CatalystEX hierarchy



**Note:** For detailed information refer to CatalystEX Dynamic Help.

# PROCESSING YOUR STL FILE FOR PRINTING

## OPENING YOUR STL FILE WITH CATALYSTEX

1. Create an STL file using your CAD software. Refer to your CAD software help section for more information about converting your CAD drawings into STL files.
2. Open the CatalystEX.
3. From the **File** menu select **Open STL...**
4. Navigate to and select the STL file that you have created.

## SELECTING LAYER RESOLUTION

Layer resolution can be changed on the printer. Changing layer resolution will affect surface finish and build times. Selecting a smaller layer resolution creates a smoother surface finish, but takes longer to build. Layer resolution also affects the minimum wall thickness. Minimum wall thickness applies to the horizontal (XY) plane of your part. If a feature in an STL is smaller than the limit, the modeler will increase the size of the feature to the minimum wall thickness.

Available layer resolutions	Minimum Wall thickness
.007 inch (.178 mm)	.025 inch (.635 mm)
.010 inch (.254 mm)	.036 inch (.914 mm)

## SELECTING MODEL INTERIOR FILL STYLE

This establishes the type of fill used for the interior areas of the part. There are three types of model interior that you can choose from.

- **Solid** - Used when a stronger, more durable part is desired. Build times will be longer and more material will be used.
- **Sparse High Density** - This is the default model interior style and is highly recommended. Build times will be shorter, less material will be used and the possibility of part curl for geometries with large mass will be greatly reduced.
- **Sparse Low Density** - The interior will be “honeycombed” or “hatched”. This style allows for the shortest build times and lowest material usage but will decrease the strength of the part.

## SELECTING SUPPORT STYLE

Support material is used to support the model during the build process. It is removed when the part is complete. Support styles will affect the support strength and build time of the print. SMART support is the default support setting.

- **Basic** - May be used for most parts. Basic support uses a consistent spacing between support toolpaths.
- **SMART** - minimizes the amount of support material used, reduces the build time, and improves support removal for many parts. SMART supports use a wide spacing between toolpath rasters and change the shape of the support region. As the supports descend from the underside of the part feature to the base of the supports, the support region shrinks and transforms to a simpler shape to reduce the amount of material used and the build time. SMART supports are suitable for all parts, especially those with large support regions, and are the default style for builds using soluble supports
- **Surround** - The entire model is surrounded by support material. Typically used for tall, thin models.

## SELECTING THE SCALE OF YOUR STL FILE

Before you process a part for printing, you can change the size of the part within the build envelope. Every part has a pre-defined size within the STL file. After you have opened the file you can change the size of the part produced from the STL file by changing the scale. The scale always relates to the original STL file size definition.

For example: a cube that is defined as 2 X 2 X 2 can be built to be 4 X 4 X 4 by simply changing the scale to 2.0. If after changing the scale to 2.0, you decide that a size of 3 X 3 X 3 would be preferred, change the scale to 1.5 - the scale relates to the original size of 2.0, NOT the resulting 4.0 from the first scale change.

Click within the scale input box to type a scale of your choice.

## SELECTING THE ORIENTATION OF YOUR STL FILE

The Orientation tab has an expanded preview window. It provides options for viewing a part, measuring a part, orienting a part, processing a part and viewing the layers of a part. How a part is oriented in the preview window will determine how the part is oriented when it prints.

Orientation impacts build speed, part strength, surface finish and material consumption. Orientation can also affect the ability of CatalystEX to repair any problems with the STL file.

You can choose to auto orient your part, which allows CatalystEX to determine the best orientation for the part for the fastest build time and least material usage, or you can manually change the orientation of your part.

Orientation Considerations:

- **Build Speed** - Closely related to material use. A lesser amount of supports will allow for a faster build speed.

Another factor affecting build speed is the axis orientation. The printer can build faster across the X-Y plane than it can along the Z axis. Orienting a part so that it is shorter within the modeling envelope will produce a quicker build.

- **Part Strength** - A model is stronger within a layer than it is across layers. Depending upon what features you want your part to demonstrate, you may need to orient your part to have its greatest strength across a specific area. For example a tab that needs to be pressed would be weakest if you are applying pressure across layers.
- **Surface Finish** - Much like orienting for strength, how the part is oriented will determine how the surface finish will look and allow the printer to provide the smoothest finish for a specific area. For example, if building a cylinder, orienting the cylinder upright will have a smoother surface finish than building it on its side.
- **STL File Repair** - It is possible for an STL file to have errors while appearing to be trouble free. If the STL file contains errors, CatalystEX may have problems processing the file. CatalystEX has the ability to automatically correct some STL file errors. How the part is oriented can impact this automated repair function.

## ADDING YOUR STL FILE TO THE PACK

The **Add to Pack** button is found on the General, Orientation and Pack tabs.

When you click on the **Add to Pack** button, CatalystEX will add the file that is currently in the preview window (General tab or Orientation tab) to the pack preview window (Pack tab).

If the file in the preview window has not been processed for printing, processing will occur before the file is added to the pack. Each additional click of the **Add to Pack** button will add another copy of the file to the pack.

## PRINTING YOUR STL FILE

The **Print** button is found on the General, Orientation and Pack tabs.

CatalystEX will now process all parts in the pack and create a CMB file from which the printer will print the parts.

## INSERTING A MODELING BASE

Prior to inserting a modeling base into the tray, remove any material buildup on and behind the Z Platform and around the lead screw. Failure to do so could cause the modeling base to be unlevel or, if the amount of buildup is large enough, the Z Platform could jam at its upper limit.

Install the modeling base, see [“Insert Modeling Base” on page 22](#).



**Caution:** DO NOT reuse modeling bases. If a modeling base is reused, calibration errors, poor part quality, and loss of extrusion may occur. Additional modeling bases are available from your reseller.

## BUILDING A PART

If a part has not been sent to your printer for building, the build queue will be empty. If the build queue is empty the display panel will show **Idle** or **Ready to build**.

Choose whether or not you want to start a build from a remote location or from the display panel at the printer.

## STARTING A BUILD FROM A REMOTE LOCATION

The lower display will show **Wait for Part** and it will be flashing.

1. From the display panel press **Wait for Part**. The display will ask **Is Model Base Installed?**
2. Insert a modeling base.



**Caution:** DO NOT reuse modeling bases. If a modeling base is reused, calibration errors, poor part quality, and loss of extrusion may occur. Additional modeling bases are available from your reseller.

3. Press **Yes**. **Waiting for Part** will now be on the display.
4. From your CatalystEX workstation, send a part to the printer. The printer will automatically start to build the part. See [“Processing your STL file for printing” on page 28](#) for detailed instructions.

## STARTING A BUILD FROM THE DISPLAY PANEL

If **Wait for Part** has not been activated, you can send the part to the printer and start the part from the display panel after the part has been sent to the printer.

1. From your CatalystEX workstation, send a part to the printer. The display will show **Idle/Ready to Build** and the name of the first file that is in the queue waiting to be built.
2. Insert a modeling base.



**Caution:** DO NOT reuse modeling bases. If a modeling base is reused, calibration errors, poor part quality, and loss of extrusion may occur. Additional modeling bases are available from your reseller.

3. From the display panel press **Start Model** to start building the part.

# LOADING MATERIAL

Material cartridges are factory packaged in a box and an anti-static, moisture-proof bag to preserve shelf life. Material will stay humidity free inside the cartridge for at least 30 days after opening. Shelf life is more than one year if the cartridge package remains sealed.

## LOAD MATERIAL CARTRIDGES

1. Remove packaging.
2. If present, remove the red sealing plug from the cartridge: (see [Figure 4-4](#)).

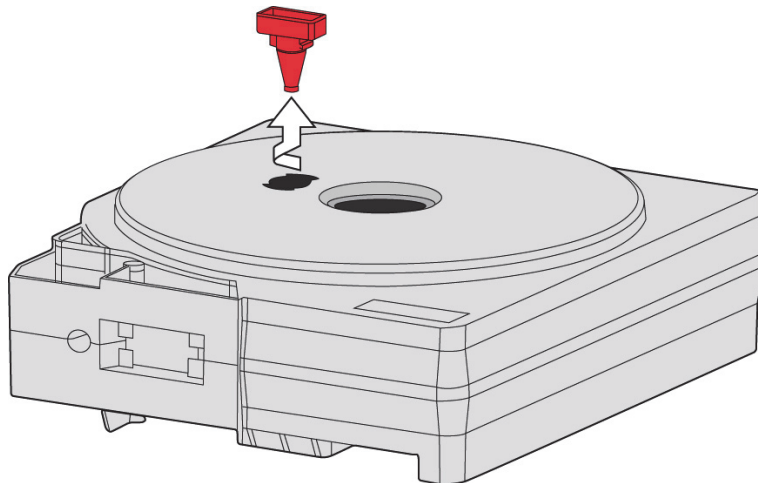


**Note:** Plug must be removed before cartridge can be installed.

---

- A. Turn the plug a quarter turn counter clockwise.
- B. Lift up the plug to remove it from the cartridge - discard (or recycle) the plug.

[Figure 4-4](#): Remove red plug before loading



3. Find the end of the material filament taped with a “flag”.

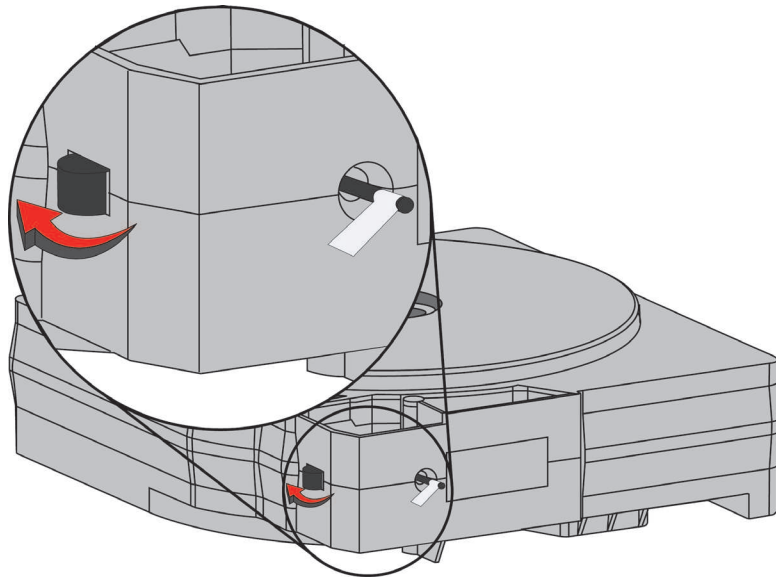


**Caution:** Be careful when touching the pinch roller on the side of the cartridge. If you roll it backwards, you could draw the material into the cartridge, see [Figure 4-5](#) for the correct direction to move the cartridge roller.

If this occurs, there is no way to retrieve the filament without opening the cartridge and exposing the material to humidity, which reduces shelf life to a few days.

---

Figure 4-5: Direction to move cartridge roller



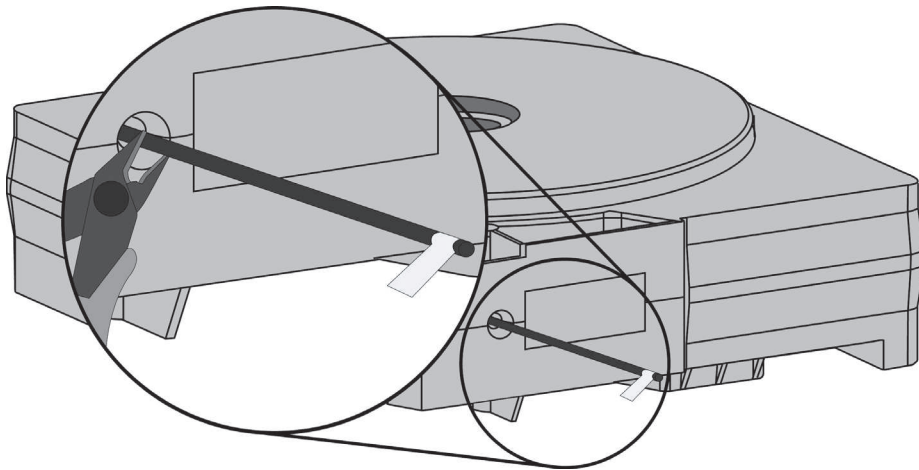
4. Pull filament out of cartridge to expose about 12 inches of material. You should easily be able to pull out the material.



**Note:** The above step makes sure that the filament will feed freely from the spool.

5. With the cutter from your Startup Kit, snip the filament flush with the end of the cartridge, see Figure 4-6.

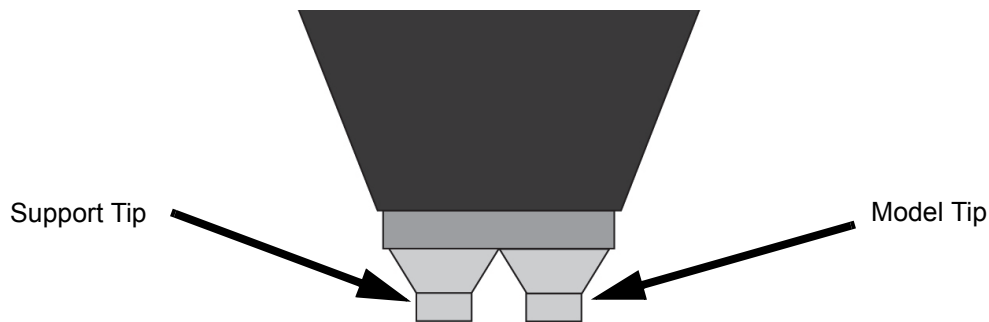
Figure 4-6: Snipping the material filament



6. If the printer is in **Idle**, press the **Material...** button, which will be blinking.
7. Display will prompt with **Material - Add/Remove** (flashing).
8. Insert material cartridges into their appropriate slot from the front of the printer (Model material cartridge goes in the Top slot; Support material goes in the Bottom slot).
9. When the cartridges have been inserted, press **Load...** (flashing).
10. Display will prompt with **Load Both...**, **Load Model...** or **Load Support...** Press **Load Both...**

11. Watch the extrusion tips (see [Figure 4-7](#)) to see if material extrudes (purges) after loading. The panel will then display **Did Material Purge?**.
  - Press **Yes** (to continue) or **No** (to return to Load Material) as appropriate — or press **Purge Again** if you're unsure which to choose.

Figure 4-7: Close-up of extrusion tips



**Note:** If the display shows **Load Error - Remove Cartridge**. Remove the cartridge, snip the material (see [Figure 4-6](#)), remove filament in the printer, and reinsert the cartridge.

## UNLOADING MATERIAL

The model and support material cartridges may be replaced separately or at the same time. In idle-, load-, or build-related modes, the panel displays the percentage of material remaining in the cartridges. If the printer will be operating unattended for a long period, and the material level is getting low, you may want to replace the cartridges before starting a new part. Of course, you will also need to replace the cartridges when they are empty.

### UNLOAD MATERIAL CARTRIDGES

1. From **Idle**, Press **Material...**
  - A. Press **Unload...**
  - B. The panel displays **Material** and prompts with, **Unload Both...**, **Unload Model...** or **Unload Support...**
  - C. After you have made the above choices, the panel displays **Unloading** for approximately 60 to 75 seconds (the selected materials will be unloaded from the extrusion head).
  - D. When unloading is complete, the panel will prompt you to remove a cartridge based upon your choices - i.e., **Remove Model Cartridge**, or **Remove Support Cartridge**.
2. Remove the material cartridge(s) by first pushing it forward gently, and then pulling it out of the slot.



**Caution:** Do NOT try to rewind the filament that remains in the system. This will cause material to cross-wind in the cartridge causing cartridge failure.

- When you remove a cartridge there will be approximately 180 cm (6 feet) of filament that will need to be pulled from the system. (This is normal. Material is only retracted from the extrusion head during 'unloading'.)



- To store a partially used cartridge, place a small flag of tape on the filament near the cartridge. Cut off and discard the remaining material. The tape flag ensures the filament does not retract into the cartridge.

## BUILDING A TEST PART

Factory test parts have been preloaded into your printer. To familiarize yourself with the system, it is recommended that you build one of the test parts before attempting to build one of your own files.

Once the printer has warmed up, material has been loaded, and a modeling base is in place, you can send a test part to the printer.

### BUILD A TEST PART

- Press **Maintenance**.
- Press **System**.
- Press **Test Parts**, and select one of the available sample parts.

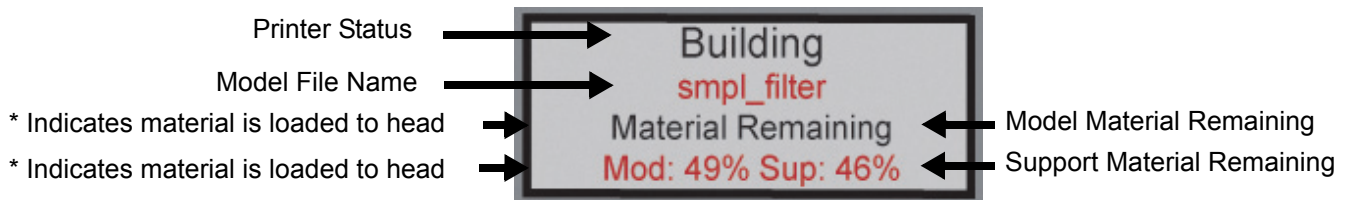
The printer automatically starts building the part.

- When the part is finished, follow the steps under “[Removing a Completed Part](#)” on page 37.

## THE DISPLAY PANEL DURING BUILD

The top two lines of the display panel show printer-status messages, see [Figure 4-8](#). The bottom line of the panel shows the material amounts remaining in the cartridges.

Figure 4-8: Display panel during build



## CHAMBER LIGHTS

When a part starts to build, the chamber lights are automatically ON. You can toggle lights ON or OFF through the Display Panel.

You can also turn the light on continuously. Go to the **Idle** or **Ready to Build** mode. Press **Maintenance** and then press **Setup**. Press **Lights Always On**. The light will remain ON until the system is powered OFF.



# PAUSING BUILD

While building a part, you may want to pause the operation - e.g. to allow for replacement of a material cartridge. To pause the build operation at any time, press **Pause**.



**Note:** When the build process is paused, the printer completes the current tool path before pausing.

---

# RESUMING BUILD FROM PAUSE MODE

If you have pressed **Pause**, and are ready to resume building the part, press **Resume**. The printer resumes modeling.

# RESUMING OPERATIONS FROM STANDBY MODE

After several minutes of inactivity, the printer enters Standby mode. During Standby, the head temperature will decrease to save energy.

# CONTINUE OPERATION FROM STANDBY MODE

1. Press **Resume**.
  - The panel displays **Ready to Build** and your part's name (if there is a part in the queue). It also shows the amount of material remaining in the model material cartridge and the support material cartridge (e.g. **\*Model 90%**, **\*Support 85%**).
  - **Start Model** begins blinking.
2. Press **Start Model** to begin modeling.  
(The printer may require a few minutes to warm up to proper build temperatures. You can view the temperature values in the display.)

# CANCELING A JOB

You can cancel a job at any time while the part is building.

## CANCEL A JOB

1. Press **Pause**.
2. Once the printer stops building, press **Cancel Build**.  
The panel displays **Are you Sure?**.
3. Press **Yes**. The panel displays **Build Stopped** followed by the part name.
4. The panel prompts you to remove the part and replace the modeling base. See [“Inserting a Modeling Base” on page 30](#). Once the chamber door has been opened and closed, the panel asks: **Part Removed?**
5. Press **Yes** only after removing the part - refer to [“Removing a Completed Part” on page 37](#)”.



**Caution:** If you press **Yes** before removing the part, the system can be damaged, and a service call will be required.

---

## AUTO POWER DOWN

You can set the printer to automatically power down when a build is complete. This option will save energy usage.

1. While the printer is building, press the **Auto Power Down** button.
2. Turn the power switch, located on the right side of the printer, to the OFF position.

The printer will display **Auto Power Down Mode** and the printer will power down as soon as the build is complete.

## CANCELING AUTO POWER DOWN

To cancel Auto Power Down, turn the power switch back to the ON position.

## POWERING OFF

To power-off the printer, move the power switch to the OFF position, see [Figure 3-8 on page 16](#). You can do this at any time without harming the printer. No other steps are necessary. If this is done while the printer is building a part, the current build will be lost. System cooling fans will continue to operate for several minutes. This ensures a safe, systematic power down.



**Note:** If you will not be using the printer for more than 72 hours, unload model and support cartridges to prevent moisture absorption of the loaded filament. For storage periods greater than 1 month, material cartridges should additionally be placed in a low moisture permeability storage container (e.g. foil bag)

---

# REMOVING A COMPLETED PART

When the part has completed, the panel displays **Completed Build**, and the file's name. It also shows **Remove Part and Replace Modeling Base**.

## REMOVE A COMPLETED PART FROM THE SYSTEM

1. Open the modeling chamber door.
2. Release the modeling base retainers and pull the modeling base towards you, out of the tray guides.
3. Insert a new modeling base.
4. Close the modeling chamber door.
5. After you have opened and closed the door, the panel displays **Part Removed?** only after removing the part, press **Yes**.



**Caution:** The system can be damaged if you answer **Yes** and the part has not been removed.

- 
- After you press **Yes**, the panel displays the status as **Ready to Build** for the next part in the queue.

## REMOVE A COMPLETED PART FROM THE MODELING BASE

1. After removing the base from the printer, firmly flex the modeling base back and forth with your hands to loosen the part. For best results, flex the modeling base front-right to back-left.
2. Pull the part off the base.



**Note:** Supports are much easier to remove when the modeling base is still warm.

# REMOVING SUPPORT MATERIAL

## SOLUBLE SUPPORTS



**Warning:** Wear safety glasses and safety gloves when removing soluble supports.  
When removing soluble supports by hand, wear leather gloves.

---

Dimension Elite uses soluble supports - a water-based solution designed to allow you to simply wash away the support material. Your part is left smooth and clean with the fine details intact. The soluble support material can be removed by hand with relative ease, but is designed to be dissolved off of your parts for hands-free part finishing.

# 5 MAINTENANCE

Follow the simple procedures within this chapter to ensure continued proper operation of the Dimension printer.

## STARTUP KIT TOOLS

The Startup Kit contains replacement parts and a set of tools used to help you maintain the system. The following is a list of the tools contained in the Startup Kit.

- Needle Nose Pliers
- Allen Wrench Set
- Leather Insulated Gloves (Pair)
- Cutters
- Soft-bristled Glue Brush
- Brush (bronze)
- $\frac{1}{4}$ " Nut Driver
- #2 Phillips Head Screwdriver
- Tube Anti-Seize Compound

## PREVENTIVE MAINTENANCE

### DAILY

#### INSPECT THE TIP WIPE ASSEMBLY

After each build you should inspect the tip wipe assembly to make sure there is no material build up. If there is material build up, clean the tip wipe assembly. Material build up on the tip wipe assembly can cause part quality issues. See [“Tip Wipe Assembly \(Brush/Flicker Assembly\)”](#) on page 42.

#### REMOVE DEBRIS BUILDUP

Remove all material buildup on the Z platform and around the lead screw. Failure to do so could cause the base to not be level or the Z platform to jam at its upper limit.

#### VACUUM BUILD CHAMBER

Vacuum the build chamber to remove all debris and purged material.

#### CLEAN DOOR

The door glass can be cleaned with any commercial glass cleaner.

## EMPTY THE PURGE CONTAINER

The plastic purge container is attached to the right side of the modeling envelope rear wall, see [Figure 5-1](#).

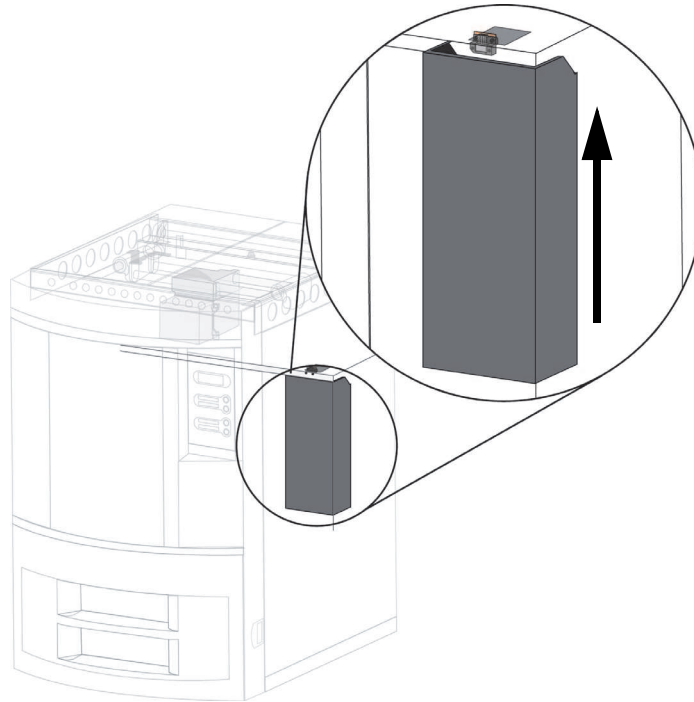


**Note:** A full purge container may impact part quality.

---

1. Remove the purge container by grasping it and pushing it upward to release it from its three mounts. See [Figure 5-1](#).

[Figure 5-1](#): Purge container location



2. Pull the container towards you and out of the chamber.



**Caution:** When reinstalling the container, make sure that it locks on all three mounts and hangs flush with the chamber wall to avoid damage.

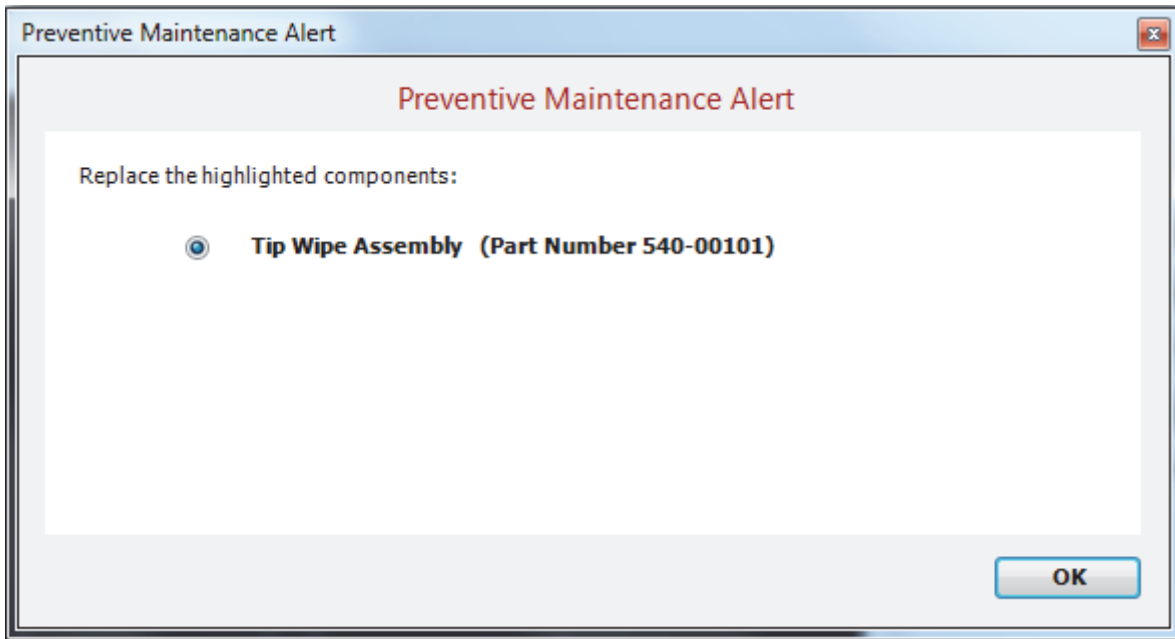
---

3. Empty the container and reinstall on 3 mounts.

# 500 HOUR MAINTENANCE

Preventive Maintenance Alerts will be displayed on the workstation at the 500 hour time interval as a reminder to perform preventive maintenance. See [Figure 5-2](#).

Figure 5-2: Preventive Maintenance Alert

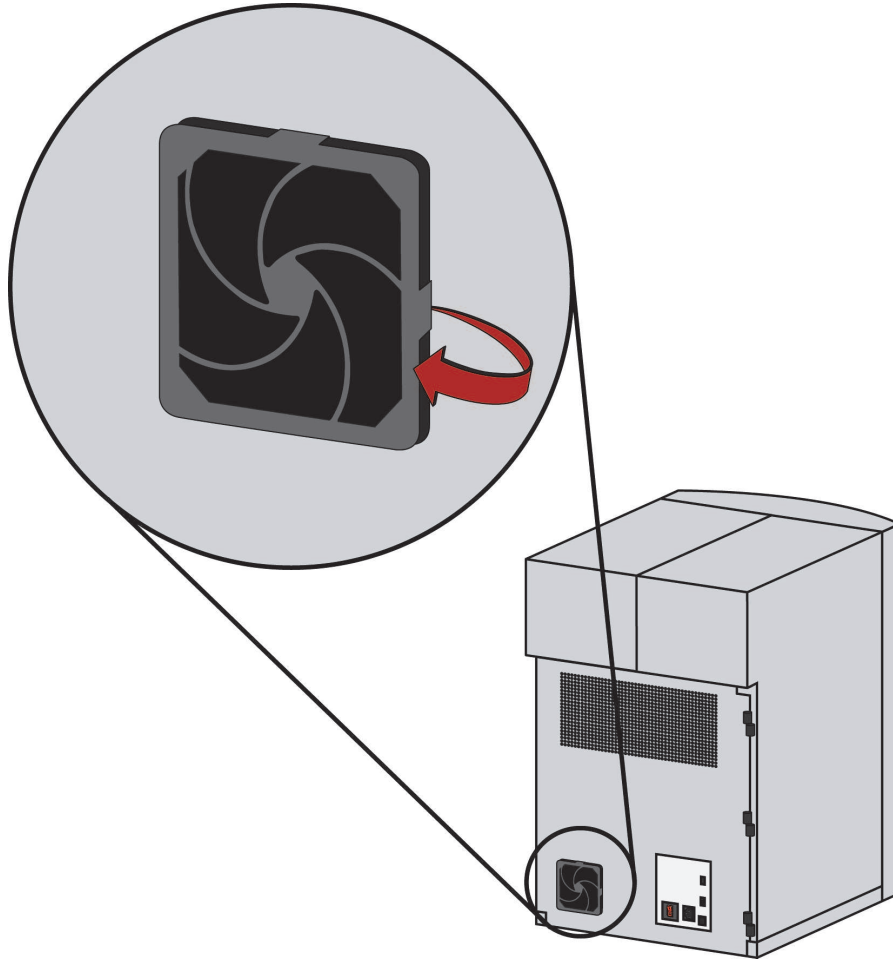


# CLEAN FAN FILTER

To clean the fan filter

1. Locate the lower fan on the rear panel of the printer and remove the plastic frame (snaps on and off) that secures the fan filter. See [Figure 5-3](#).

[Figure 5-3](#): Lower fan location



2. Clean the filter with soap and water, and blot it dry.
3. Reassemble.

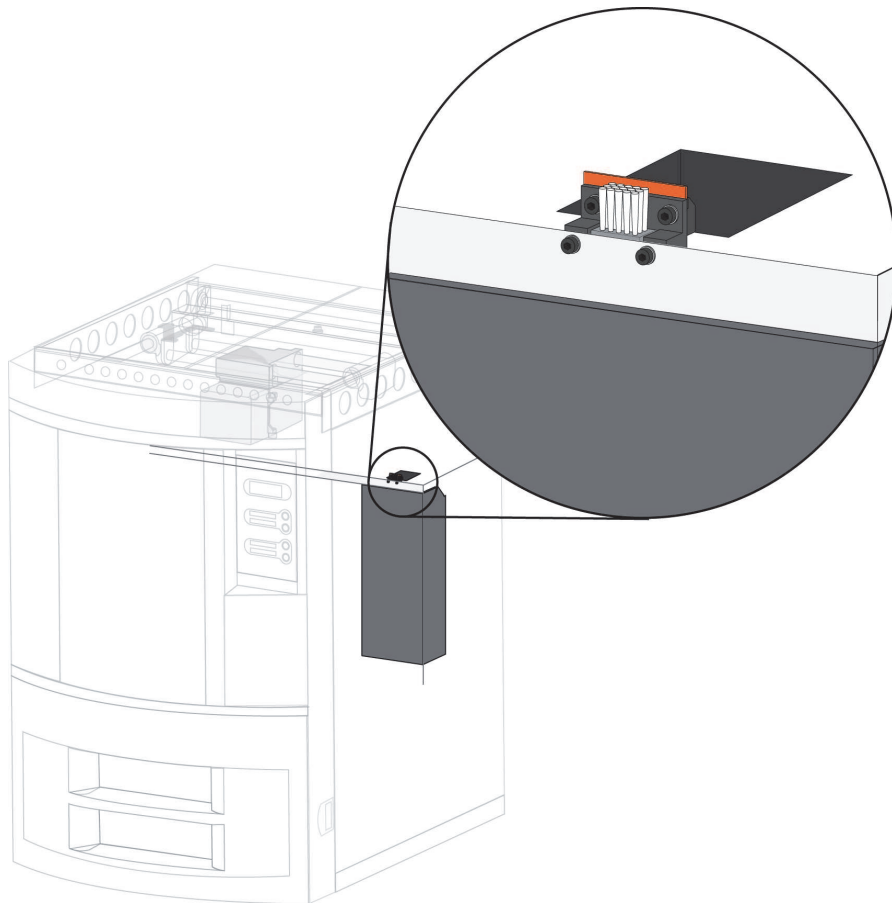
## TIP WIPE ASSEMBLY (BRUSH/FLICKER ASSEMBLY)



**Note:** The flicker should be replaced after 500 hours. It is only necessary to replace the brush after 2000 hours.

1. Completely power down the printer. See “Powering Off” on page 36.
2. Locate the tip wipe assembly. See Figure 5-4.

Figure 5-4: Tip wipe assembly location



3. Using a  $\frac{7}{64}$ ” Allen wrench from the startup kit, loosen, but do not remove, the flicker attachment screws. See Figure 5-5.
4. Remove the old flicker by lifting upwards and discard.
5. Insert the new flicker and tighten the rear screws while gently pushing down on the flicker. See Figure 5-5.



**Note:** The bottom of the material tip must hit in the top 75% of the flicker.

6. Using a  $\frac{7}{64}$ ” Allen wrench from the startup kit, loosen, but do not remove, the brush attachment screws. See Figure 5-5.
7. Remove the old brush by lifting upwards and discard.



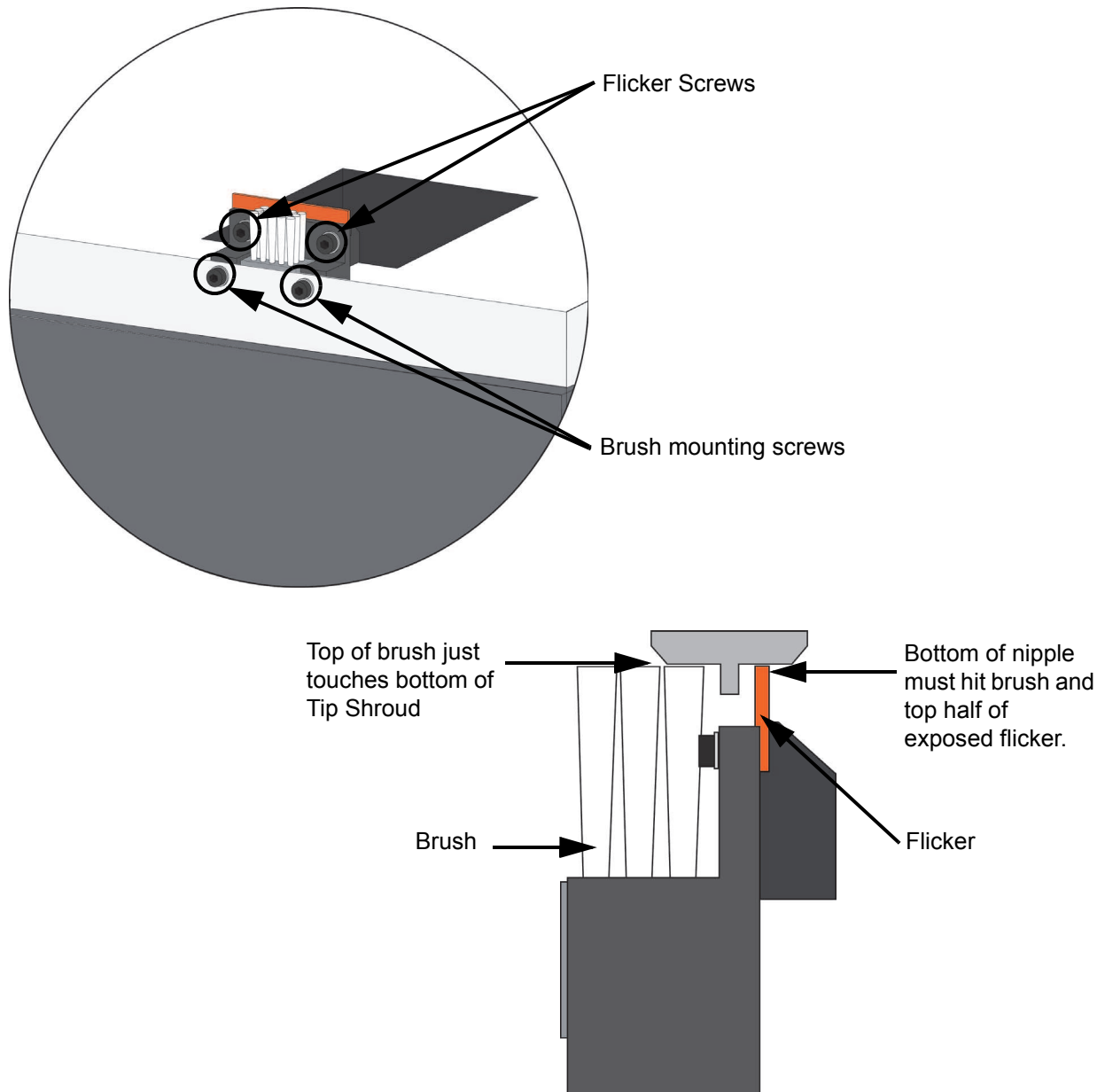
8. Install the new tip cleaning brush, but do not tighten the mounting screws.
9. With a glove on your hand, move the head so that the tips are above the tip cleaning brush.
10. Adjust the tip cleaning assembly until the brush lightly touches the bottom of the Model Tip Shroud.



**Note:** Ideally, the top of the brush and the top of the flicker should be the same height. Brush height, however is more important to tip maintenance than the flicker height.

11. Tighten the brush mounting screws.

Figure 5-5: Replacing the tip cleaning brush



# AS NEEDED MAINTENANCE

The following maintenance items have no routine schedule but should be tended to as needed.

## CHAMBER LAMP REPLACEMENT

Replace the chamber lamp when it burns out.



**Note:** There are two chamber lamps in the modeling chamber. They are located on the front wall of the chamber. One to the upper right, the other to the upper left.

---

To replace the chamber lamp

1. Power down the system.
2. Pull the lamp straight out of the socket.



**Caution:** Do not touch the new bulb with bare fingers. The natural oil of your skin can cause premature bulb failure. Grasp the base of the bulb instead. Use only 24 V, 20 W bulbs.

---

3. Find the socket wires leading away from the socket.
4. Pull on the socket wires while inserting the two prongs of the new lamp into the two holes of the socket. When the lamp is seated into the socket, release the socket wires.



**Note:** Pulling on the socket wires releases the spring-loaded contacts in the socket. If the lamp is installed without pulling on the socket wires, the lamp might not be held securely in the socket.

---

## TIP SHROUD REPLACEMENT

Due to repeated contact with the tip-wipe brush, it is normal for the tip shroud to become worn. When chronic build up of material around the tip area or clumps of burnt material become embedded in the part, replace the tip shroud.



**Gloves:** Head area is very hot! Use gloves when installing a new shroud.

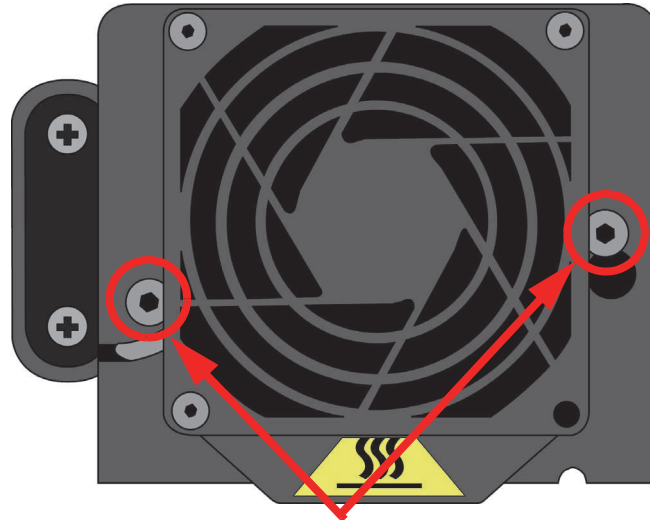
---

1. From the display panel, press **Maintenance...**
2. Press **Machine...**
3. Press **Gantry...**

The head temperature decreases.

- Using a  $\frac{1}{8}$ " Allen wrench, back out the two head-plate mounting screws approximately  $\frac{1}{8}$ ", see Figure 5-6. Do not remove the screws.

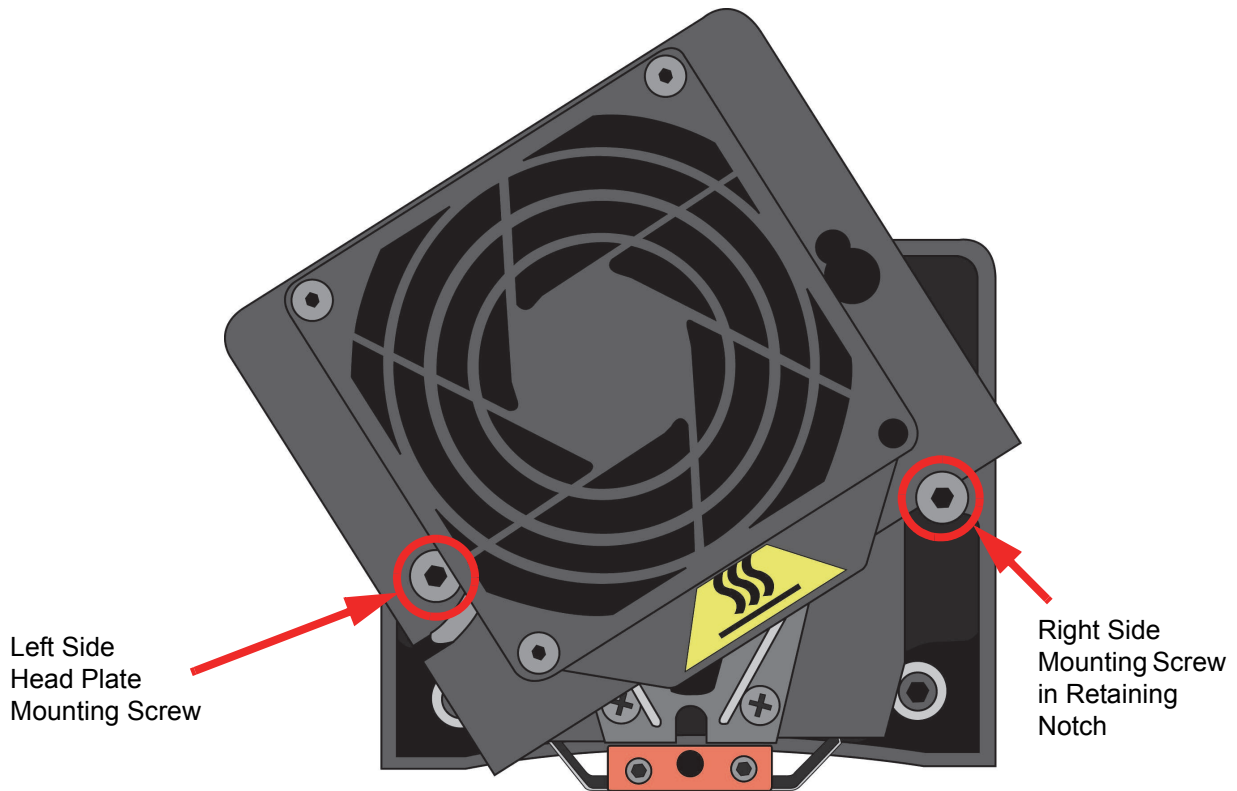
Figure 5-6: Headplate mounting screw locations



Mounting screws

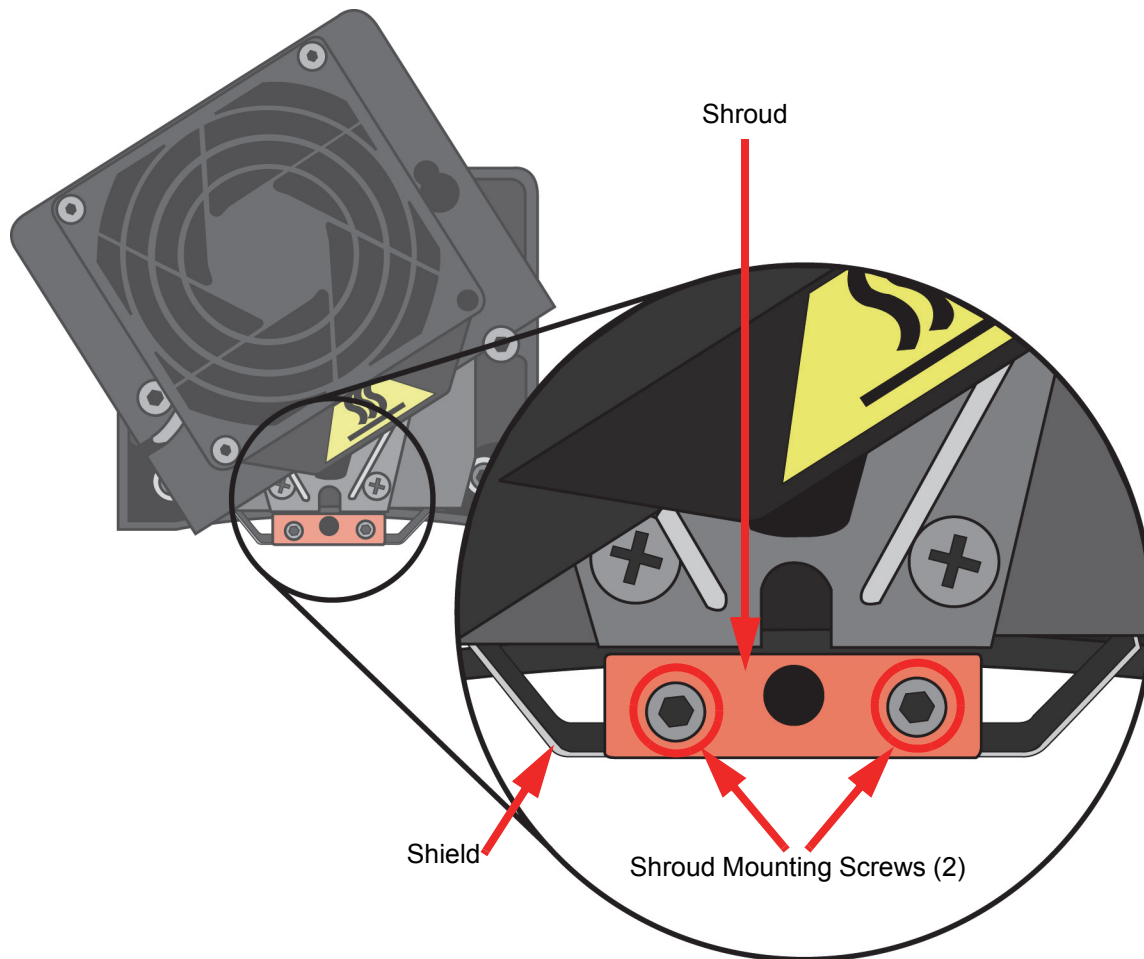
- Pull the head plate slightly away from the head until the right side of the plate is clear of the mounting screw head.
- Pivot the right side of the head plate upwards, and rest the right side of the plate on the right mounting screw, as shown in Figure 5-7. There is a small notch on the bottom of the plate for this purpose.

Figure 5-7: Head plate in shroud replacement position



7. Locate the shroud, the shroud-mounting screws, and shield, as shown in Figure 5-8.

Figure 5-8: Shroud and shield location



8. Remove the two shroud mounting screws using a  $\frac{3}{32}$ " Allen wrench.



**Warning:** Screws are very hot! Use gloves when working in this area of printer!

9. Once the screws are removed, pull the metal shield down to remove. Be careful not to bend or damage the shield.
10. Pull the shroud downward to remove it.
11. Clean the exposed tip with the bronze brush provided in the Startup Kit.
12. Install the new shroud by pushing it up onto the tip.



**Note:** The shroud is keyed and can only be installed with the holes offset to the rear.

13. Slide the metal shield back over the shroud.
14. Check that both the shroud and shield are positioned correctly.



**Note:** Apply a thin coat of anti-seize compound to the threads of the shroud mounting screws.

---

15. Drive the two shroud-mounting screws into the shroud and tighten, but do not over-tighten the screws.
16. Lower the head cover into position, and tighten both head cover screws.
17. Press **Done...** until back at Idle.
18. Build a test part to verify system is operating correctly. See [“Building a Test Part”](#) on page 34.

# 6 TROUBLESHOOTING

## TROUBLESHOOTING CHECKLIST

<b>Problem or error message</b>	<b>Solution</b>
No power	<ol style="list-style-type: none"><li>1. Verify power cord is securely plugged in.</li><li>2. Verify that the circuit breaker (at rear of system) and the power switch (on right panel of system) are both in the ON position.</li><li>3. Verify AC power is present at wall outlet.</li></ol>
System fails to reach operating temperatures	Verify the system is not connected to an extension cord or power strip.
Material not extruding	Filament may be jammed in extrusion head (see <a href="#">“Loss of Extrusion” on page 50</a> ).
Purge material accumulating on part.	<ol style="list-style-type: none"><li>1. Make sure that the flicker and brush are set to the proper height. See <a href="#">“Tip Wipe Assembly (Brush/Flicker Assembly)” on page 42</a>.</li><li>2. Check condition of Flicker and Brush. Replace if worn. See <a href="#">“Tip Wipe Assembly (Brush/Flicker Assembly)” on page 42</a>.</li><li>3. Replace the tip shroud. See <a href="#">“Tip Shroud Replacement” on page 44</a>.</li></ol>
No text displayed on Display Panel	Cycle power, see <a href="#">“Cycling power” on page 50</a> .
Cannot communicate with system through network	<ol style="list-style-type: none"><li>1. Make sure network cables are connected - at the printer, at the PC, and where cables connect to network boxes.</li><li>2. Re-configure settings, see <a href="#">“Networking the printer” on page 12</a>.</li><li>3. If using a Static network address, verify that the IP address entered in CatalystEX has the same value as the address entered for the printer.</li><li>4. Your system configuration may have changed. Contact your Network Administrator.</li></ol>
Error Code displayed on Display Panel	Call your local reseller for customer service. For more information, refer to <a href="#">“Customer Support” on page 56</a> .
Display Panel displays <b>Build Error</b>	Partial or bad part file sent to system. Check STL file validity in CAD software; reprocess STL in CatalystEX and redownload to system.
Display Panel displays <b>Can’t Find Home – Check Modeling Base</b>	<ol style="list-style-type: none"><li>1. Verify a modeling base is inserted.</li><li>2. Modeling base may be used or defective – replace.</li></ol>
Display Panel displays <b>Communication lost at HR:MN UCT</b>	The system stopped reporting its status at the Universal Coordinated Time (UCT) shown. Wait for the system to complete building the part. The system will automatically restart and display Build Complete. It is then safe to remove the model.

<b>Problem or error message</b>	<b>Solution</b>
Display Panel displays <b>Could Not Read Cartridge</b>	<ol style="list-style-type: none"> <li>1. Remove cartridge and cycle power (see <a href="#">“Loading Material” on page 31</a>); reload cartridge.</li> <li>2. Try a different cartridge.</li> </ol>
Display Panel displays <b>Load Failed</b>	<ol style="list-style-type: none"> <li>1. Retry with same cartridge.</li> <li>2. Try a different cartridge.</li> <li>3. Filament may be jammed in extrusion head (see <a href="#">“Loss of Extrusion” on page 50</a>).</li> </ol>

## FAULT DETERMINATION CODES

If a fault occurs which would prevent the printer from executing an operator request, the printer will begin to shut down and cool. The panel will display an error code. An error-code list (with the filename “error.txt”) can be found on the DVD-ROM for the printer system software. (Because this list may change with each new software version, be sure to check the error.txt attachment when you install new system software upgrades.)

After the printer has finished cooling, the only option displayed is **Continue**. Press **Continue** and the printer will reboot and try to return to normal operation. If pressing **Continue** does not eliminate the error, power should be cycled (see [“Cycling power” on page 50](#).); wait 60 seconds before switching power on again. In most cases you will be able to continue operation. However, if the printer continues to shut down and display the same error, contact technical support.

## EXPORTING PRINTER CONFIGURATION (.CFG) FILE

If your printer is receiving fault determination codes, you may need to export a configuration (.cfg) file from your printer to send to Customer Support.

### EXPORTING CONFIGURATION FILE FROM PRINTER

1. Open CatalystEX from your workstation.
2. Click on the **Printer Services** tab.
3. Click on the **Export Configuration** button.
4. Browse to the directory where you wish to save the configuration file.
5. Click on the **Save** button.
6. Close CatalystEX.

# CYCLING POWER

1. Turn the power switch to the OFF (O) position. The display will show **Shutting Down**.
2. After the printer has cooled down enough to shut down, the display will go blank.
3. When the display is blank and the printer has shut down, turn the circuit breaker to the OFF (O) position.
4. Once the circuit breaker has been turned to the OFF position, wait 60 seconds and turn the circuit breaker back to the ON (I) position.
5. Turn the power switch to the ON (I) position. The printer display will show that it is starting up.

Once the display shows **Idle** or **Ready to Print**, you can send a file to the printer to be printed.



**Note:** When the system is 'cycled' in this manner, it may take up to 15 minutes for it to reach its normal operating state.

---

# LOSS OF EXTRUSION

Occasionally, the printer's head may experience loss of extrusion. This will be evident by observing one of the following:

- Seeing the head moving with no material coming out of either liquefier tip
- The height of the model and support materials are not equal
- Sagging structures due to lack of support materials



**Warning:** The head area is very hot. Use gloves when working in this area of printer.

---

# DIAGNOSE LOSS OF EXTRUSION

1. Press **Cancel...** and remove any parts from the printer.
2. Insert a new modeling base.
3. From the display panel, press **Maintenance....**
4. Press **Machine....**
5. Press **Head....**
6. Determine if there is an extrusion problem by pressing **Forward** (command will be available after Head reaches operating temperature). Watch both tips for several seconds, looking for extrusion (material purge).



**Note:** If it was previously at a cool temperature, the tip may not immediately extrude material. After the tip reaches operating temperature you may need to wait up to 30 seconds before extrusion will begin.

---

7. Press **Stop** to stop the extrusion.
8. If material steadily flowed from the tips, the head is not experiencing loss of extrusion.
9. If material did not extrude from both tips, see ["Recovering From Loss of Extrusion"](#) on page 51.



10. Return the printer to the Maintenance state - Press **Done...**
11. Display will ask **Which Materials Loaded?** Press **Both**.
12. Press **Done...** until back at **Idle**.

## RECOVERING FROM LOSS OF EXTRUSION



**Note:** It is recommended that you read and understand this entire procedure before performing any of the work.

1. From the display panel, press **Maintenance...**
2. Press **Machine...**
3. Press **Head...**



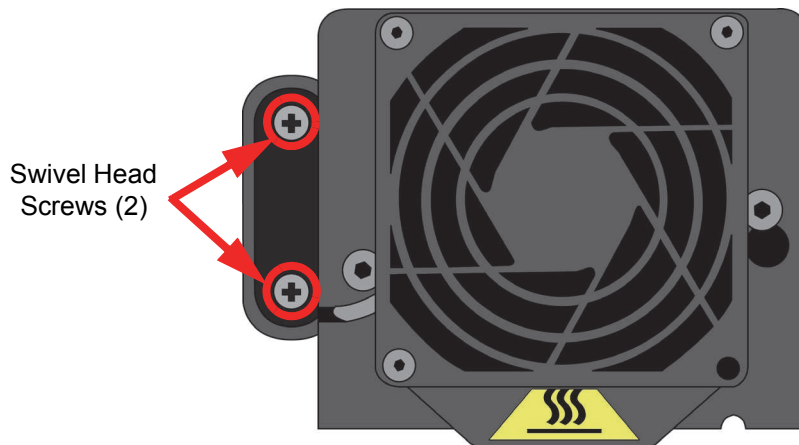
**Gloves:** The head area is very hot. Use leather gloves when working in this area of printer.

4. With the Phillips-head screwdriver provided in the Startup Kit, release the two screws securing the head assembly (see [Figure 6-1](#), the screws require only  $\frac{1}{4}$  turn to release). Swing open the front half of the head.



**Note:** You may feel resistance when you swing open the front half of the head. One, or both, of the material filament lines are likely to still be routed into the head and held by the drive motor. This is normal. Swing the door open slowly, but firmly.

Figure 6-1: Location of swivel head screws (2)



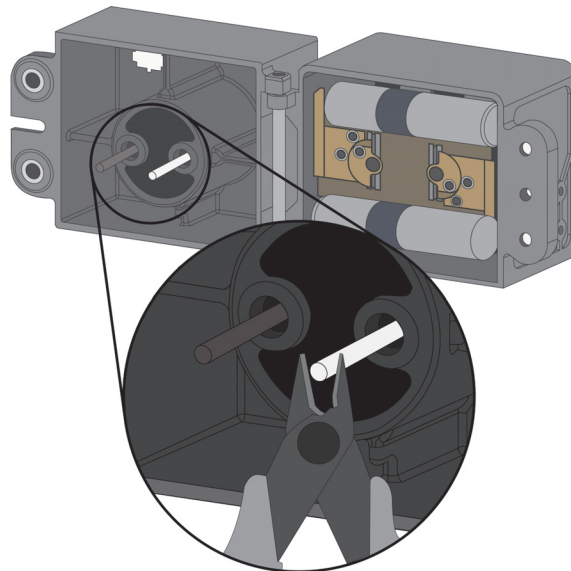
5. Attempt to re-establish extrusion.



**Note:** Both material filaments must be coming out of the feed tubes at the back of the head (see [Figure 6-2](#)) and still be going into the drive block funnels in the front half of the head in order to proceed with this step. If not, skip to step 6.

- A. From the display, press **Forward...**
  - B. Gently push the filament that stopped extruding into the filament guide rollers. Do so for about three seconds.
  - C. If the purge was successful:
    - i. Continue to run both filament motors forward and slowly swivel the head closed. Be careful to not pinch the filament or the head wiring when closing the head.
    - ii. Once the head is closed, tighten both of the swivel head screws, ¼ turn.
    - iii. Verify material continues to extrude through both tips for an additional 30 seconds, then press **Stop** to halt extrusion.
    - iv. Push **Done...**
    - v. Display will ask **Which Materials Loaded?** Press **Both**.
    - vi. You can now resume normal operation. (Skip Steps 6 through 15.)
  - D. If material did not purge, continue with the following steps.
6. Snip both filaments approximately 1 inch from the fixed part of the head (see [Figure 6-2](#)).

Figure 6-2: Materials coming out of feed tubes



**Note:** On rare occasions, the material may NOT be extending out from the feed tubes. If this occurs, push in the appropriate cartridge to unlatch it. Pull out the cartridge to expose the filament and manually feed the filament through the feed tubes until the filament comes through the back of the head. Pull the filament from the head while inserting the cartridge. Once the cartridge latches, pull an additional 6 inches of filament through the head (to make sure the filament is not caught at the cartridge receiver). Then snip the filament approximately 1 inch from the fixed part of the head.

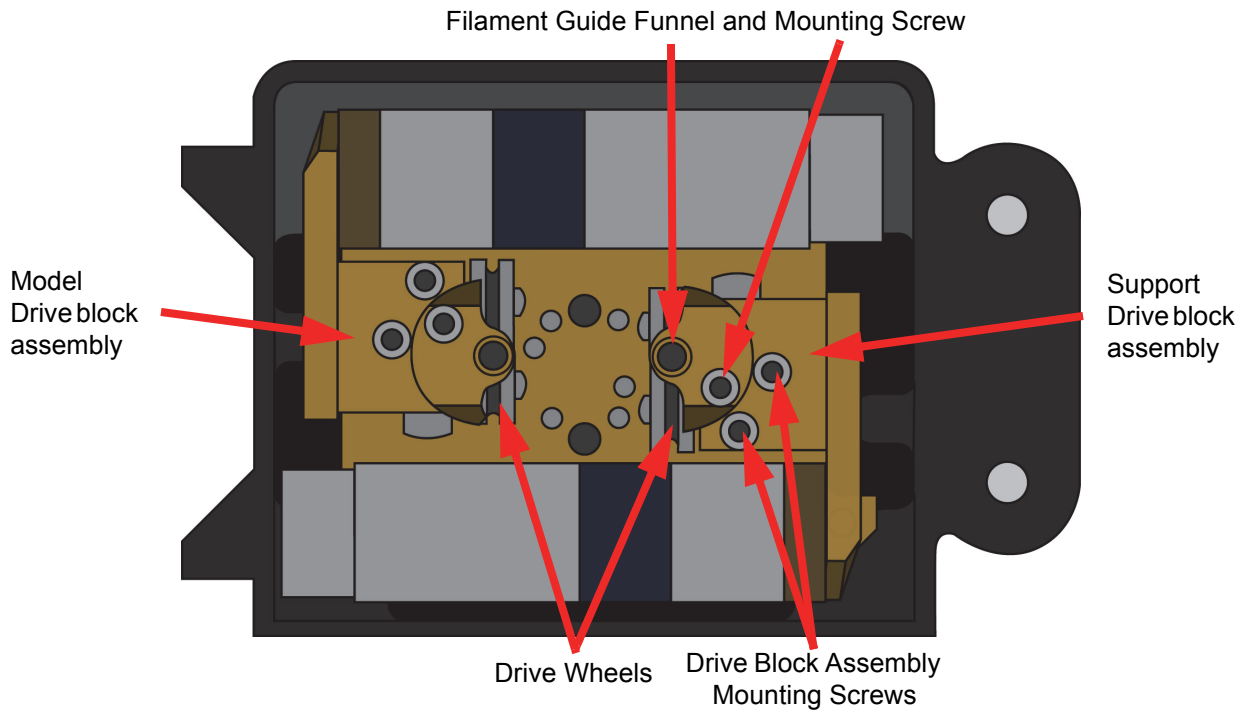
7. Remove the filament from both drive block assemblies, see [Figure 6-3](#) if there is enough to remove by hand.
  - A. From the display panel, press **Reverse...**  
This causes the drive wheels to reverse, so the material filaments can be backed out of the liquefier.
  - B. Grasp the filament from the drive blocks with your fingertips, and gently pull it out of the drive wheels, see [Figure 6-3](#). Repeat for second filament. If you are unable to easily remove either filament, leave the filament in the drive block for now.

8. Remove both drive block assemblies from the swivel part of the head.
  - A. Set a material cartridge on top of the tray to support the removed drive block assemblies.
  - B. Remove the support drive block first. Use a  $\frac{7}{64}$ " Allen wrench to remove the two screws securing the motor assembly as shown in [Figure 6-3](#).



**Note:** The drive block mounting screws are self contained and will not remove completely.

**Figure 6-3:** Removing the drive block assemblies to check for buildup



- C. Set the drive block assembly on the material cartridge.
  - D. Remove the model drive block assembly the same way.
9. With the drive blocks removed, look through both filament guide funnels for obstructions. If an obstruction is present, clear the drive block obstruction as follows:
  - A. Remove the filament guide funnel.  
Use the  $\frac{7}{64}$ " Allen wrench provided in the Startup Kit to remove the filament-guide mounting screw as shown in [Figure 6-4](#).



**Note:** The drive block mounting screws are self contained and will not remove completely.

- B. Remove any excess material; use the needle-nose pliers if necessary.
- C. Replace the filament guide funnel.



**Caution:** Liquefier inlet tubes are fragile. Be careful not to damage them when removing material.

10. With the drive blocks removed, inspect liquefier tube inlet area.

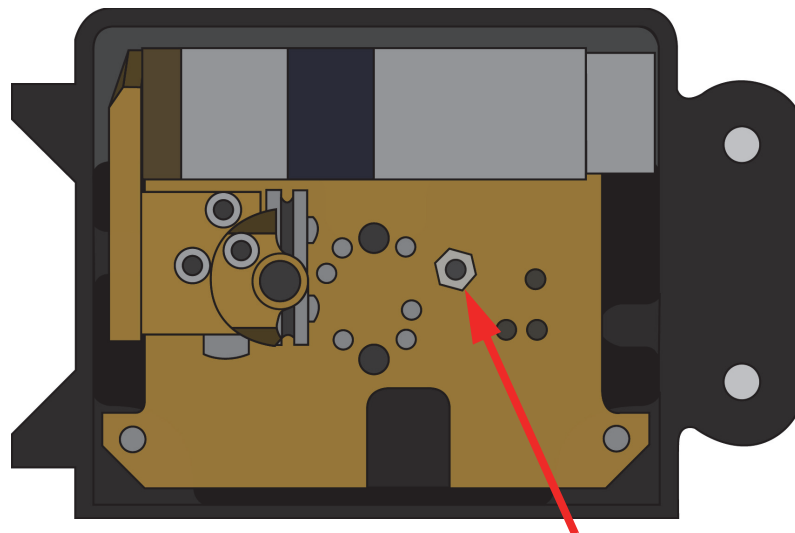
- A. Inspect the model liquefier inlet tube, and the support inlet funnel covering the support liquefier inlet tube (see [Figure 6-4](#)).
  - i. If material is extended out from the inlet tube:
    - A. Gently remove material with the bronze brush or needle-nose pliers, if necessary.
    - B. Inspect for damage to the inlet tube.
  - ii. If material is extended out from the support inlet funnel:
    - A. Gently remove material with the bronze brush or needle-nose pliers, if necessary.
    - B. If the material buildup in the inlet funnel is difficult to remove, insert a  $\frac{1}{16}$ " Allen wrench into the liquefier inlet funnel and try pushing the obstruction forward.
    - C. If this doesn't work, remove the liquefier inlet funnel using a  $\frac{1}{4}$ " nut driver. Dissolve support material from the funnel with the soluble support solution.



**Note:** It is typical for material to build up around the support liquefier inlet tube under the inlet funnel. Do not remove this material unless it interferes with reinstallation of the inlet funnel.

- D. Inspect for damage to the support inlet tube.
- E. Replace the liquefier inlet funnel.

[Figure 6-4](#): Inspecting the support liquefier inlet funnel and model liquefier inlet tube



Support Liquefier Inlet Funnel (shown with only the support drive block removed)

- 11. Clean the inside of the liquefier inlet tubes.  
Carefully insert a  $\frac{1}{16}$ " Allen wrench into the liquefier inlet tubes and gently push forward until it stops (about  $\frac{1}{4}$ ").
- 12. Replace both drive-block assemblies.  
Install the model drive block assembly first. Make sure the block is seated flush against the swivel plate.



**Note:** Be careful not to pinch the assembly's wiring harness under the block or behind the motor before replacing and tightening the mounting screws.

---

13. Repeat for the support drive block assembly.
14. Clean the drive wheels.
  - A. Press **Select Drive** repeatedly until the display shows **Both Drive Motors**.
  - B. Press **Reverse**.
  - C. With the glue brush provided in the Startup Kit, clear any material buildup from each drive by brushing its serrated drive wheel.
15. Check for Extrusion.
  - A. Press **Forward**.  
Pull out 6 inches of material from the fixed head housing. Feed the filament into the drive blocks and look at the tips to verify material is extruding through both liquefiers.
  - B. If the filament does not extrude:
    - i. Stop the motors and return to Step 6.
    - ii. If, after two tries the material fails to extrude, call your service provider.



**Note:** While closing the head, be careful not to crimp the filament, and make sure that the head wiring doesn't get pinched between the swivel head and the rear head housing.

---

- C. If the purge was successful, continue to run both filament motors forward and slowly swivel the head closed.
- D. Once the head is closed, tighten both  $\frac{1}{4}$  turn screws.
- E. Verify material continues to extrude through both tips for an additional 30 seconds, and then press **Stop** to halt extrusion.
- F. Press **Done...**
- G. Display will ask **Which Materials Loaded?** Press **Model** if only model material is loaded, press **Support** if only support material is loaded or press **Both** if both model and support material are still loaded. Press **None** if neither are loaded.
- H. The panel displays **Exiting maintenance** and you can resume normal operation.

# 7 SUPPORT

## CUSTOMER SUPPORT

Contact your local reseller for technical support.

When contacting your reseller please provide the following:

- Your name.
- Your telephone number.
- System model.
- System serial number.
- System software build number.
- CatalystEX version number.
- Detailed description of the problem you are experiencing.
- Please try to be near the printer for troubleshooting, if possible.


For advanced troubleshooting (provide by email):

- System CFG file.
- STL and/or CMB files.
- Detailed photographs showing the issue.

# 8 RECYCLING

Visit <http://www.stratasys.com/recycle> for recycling information on material cartridges.

## RECYCLING CODES

<b>System Component</b>	<b>Materials</b>	<b>Recycling Code</b>
Modeling bases	ABS	

All packaging materials can be recycled per your local recycling guidelines.

# 9 PRINTER SPECIFICATIONS

## PHYSICAL SPECIFICATIONS

Height	1041 mm (41 in)
Width	686 mm (27 in)
Depth	914 mm (36 in)
Weight	128 kg (282 lbs)

## FACILITY SPECIFICATIONS

Installation location	Stable flat surface capable of holding 136 kg (300 lbs).
Power Requirements	100–240VAC ~ 12 - 7A 50/60Hz 1200W dedicated circuit within 2 m (80 in.) Do not use an extension cord or a power strip, using these can possibly cause intermittent power issues.
Air Circulation	115 mm (4.5 in) minimum space behind printer for air circulation. 153 mm (6 in) minimum space around printer for air circulation.
Network Connection	Ethernet 10/100 Base T within 4m (14 ft).

## WORKSTATION SPECIFICATIONS

For details, see the CatalystEX Workstation Requirements document available from the Stratasys website.

## POWER SPECIFICATIONS

Source (nominal)	100–240VAC ~ 15 - 7A 50/60Hz 1200W Do not use an extension cord or a power strip, using these can possibly cause intermittent power issues.
------------------	--

## ENVIRONMENTAL SPECIFICATIONS

The Dimension Elite is intended for indoor use only.

Operating temperature range	18°C to 30°C (65°F to 86°F)
Relative humidity range	30 to 70 percent, non condensing
Altitude	Shall not exceed 6561.68 feet (2000 m)
Air quality	Air quality conditions with excessive solid particulates (conductive or non-conductive) may result in system damage.  Air quality conditions in which airborne oils are allowed to accumulate on or within the printer can damage the plastic components.
Heat emission	1080 Watts = 3686 BTU/hr typical 1380 Watts = 4710 BTU/hr max



# 10 SUPPLEMENTAL INFORMATION

## UNINTERRUPTIBLE POWER SUPPLY (UPS)

### USE AND INSTALLATION

The intent of the Uninterruptible Power Supply (UPS) shutdown feature on Dimension and uPrint 3D printers is to prevent required maintenance and/or system damage by safely shutting the system down in the event of an uncontrolled loss of power. Whether an in-process build of a part will complete successfully is dependent on the battery life of the selected UPS and the duration of the power outage.

The user should select a UPS with the following specifications:

- Runtime minimum of 15 minutes at 1000W or 2000VA output (run times >15 minutes may be appropriate based on the typical duration of power outages at the site)
- Runtime minimum 8 minutes after low battery warning tripped.
- Peak output (minimum) of 1500W
- Dry contact (voltage free) interface for “On battery” and “Low battery” conditions
- Dry contact interface capable of carrying at least 100mA at 12VDC.

### GENERAL INFORMATION

Refer to the UPS and I/O Module (if used) Installation and Operation Guides for instructions on installing the I/O module (if used) into the UPS unit as well as for connecting AC power to the UPS and 3D printer. While connecting the 3D printer power to the UPS will provide some protection against power outages, the 3D printer will shut down safely when “on battery” and “low battery” conditions are detected. Follow the Electrical Interface Connection information below.

### ELECTRICAL INTERFACE CONNECTION

1. Configure Normally Open dry contact relay I/Os of UPS as shown in [Figure 10-1](#) (Wired-And configuration)
2. Build an appropriate length of UPS to 3D printer cable. See [Figure 10-2](#) for pin out.
3. Connect the cable from the UPS unit’s connector to the UPS (9-pin DSub) connector on the rear of the 3D printer.



**Note:** Make certain to install the jackscrews that hold the cable connectors to their respective mates (do not over-tighten).

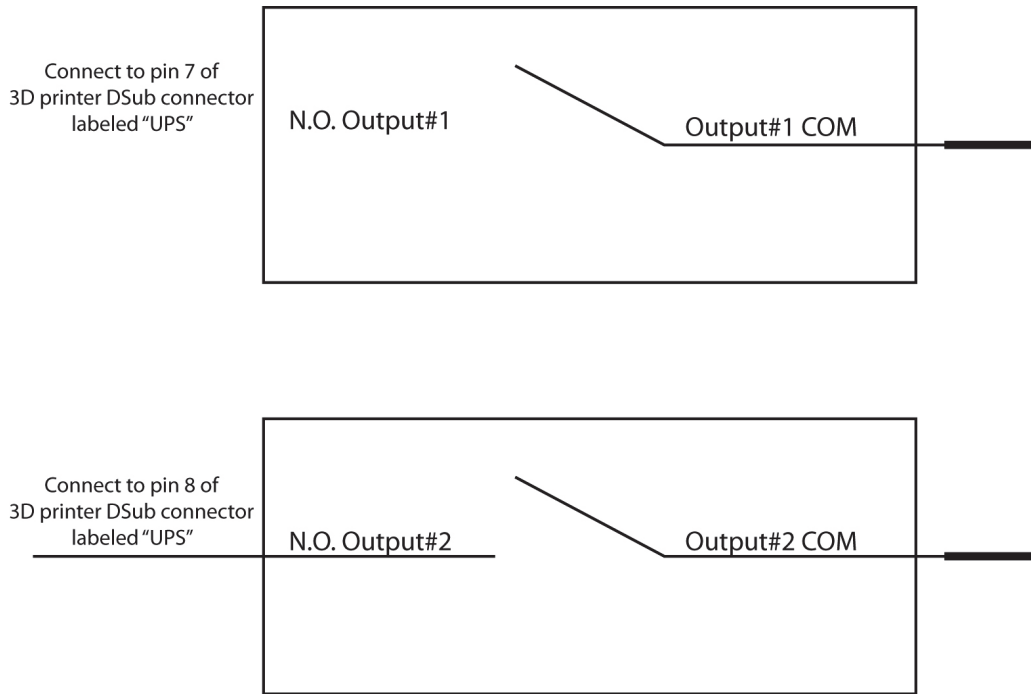
4. Follow the instructions in the UPS Installation and Operation Guide to set the “Low Battery Warning Level” to 8 minutes.



**Note:** The default low battery warning level value may not provide adequate time to ensure the 3D printer can shut down safely.

---

Figure 10-1: Wired-And configuration



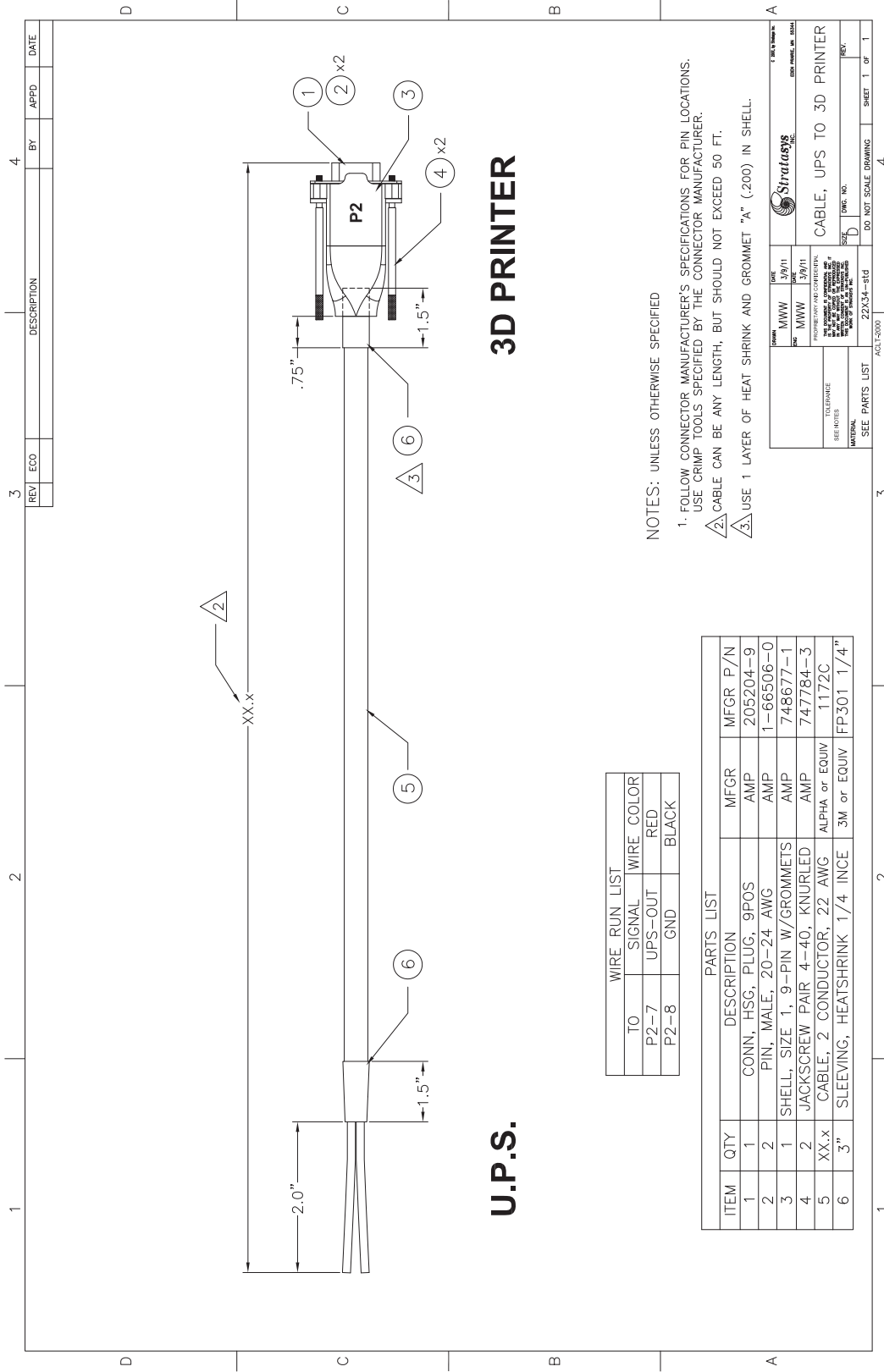
## PARTS LIST – CABLE, UPS TO 3D PRINTER

Item	Qty	Nomenclature / Description	Material Specification
1	1	Conn, Hsg, Plug, 9Pos	AMP - 205204-9
2	2*	Pin, Male, 24-20 AWG	AMP - 1-66506-0
3	1	Shell, Size 1, 9-Pin w/Grommets	AMP - 748677-1
4	2	Jackscrew Pair 4-40, Knurled	AMP - 747784-3
5	XX.x	Cable, 2 Conductor, 22 AWG	ALPHA - 1172C or Equivalent
6	3.0 inch	Sleeving, Heatshrink 1/4 Inch	3M - FP301 or Equivalent



**Note:** \* May need additional pins depending on the UPS configuration.

Figure 10-2: UPS Cable Diagram



**3D PRINTER**

**U.P.S.**

- NOTES: UNLESS OTHERWISE SPECIFIED
1. FOLLOW CONNECTOR MANUFACTURER'S SPECIFICATIONS FOR PIN LOCATIONS. USE CRIMP TOOLS SPECIFIED BY THE CONNECTOR MANUFACTURER.
  2. CABLE CAN BE ANY LENGTH, BUT SHOULD NOT EXCEED 50 FT.
  3. USE 1 LAYER OF HEAT SHRINK AND GROMMET "A" (.200) IN SHELL.

WIRE RUN LIST		
TO	SIGNAL	WIRE COLOR
P2-7	UPS-OUT	RED
P2-8	GND	BLACK

PARTS LIST			
ITEM	QTY	DESCRIPTION	MFGR P/N
1	1	CONN, HSG, PLUG, 9POS	205204-9
2	2	PIN, MALE, 20-24 AWG	1-66506-0
3	1	SHELL, SIZE 1, 9-PIN W/GROMMETS	748677-1
4	2	JACKSCREW PAIR 4-40, KNURLED	747784-3
5	XX.x	CABLE, 2 CONDUCTOR, 22 AWG	ALPHA or EQUIV 1172C
6	3"	SLEEVING, HEATSHRINK 1/4 INCE	3M or EQUIV FP301 1/4"

DATE	3/9/11	BY	MWW
DATE	3/9/11	BY	MWW
THE DRAWING IS THE PROPERTY OF STRATASYS INC. IT IS TO BE USED ONLY FOR THE PROJECT AND FOR THE QUANTITY SPECIFIED. IT IS NOT TO BE REPRODUCED OR TRANSMITTED IN ANY FORM OR BY ANY MEANS, ELECTRONIC OR MECHANICAL, INCLUDING PHOTOCOPYING, RECORDING, OR BY ANY INFORMATION STORAGE AND RETRIEVAL SYSTEM.			
SEE NOTES		TOLERANCE	
MATERIAL		SEE PARTS LIST	
SCALE		22X,34-SIG	
SHEET		DO NOT SCALE DRAWING	
REV.		SHEET 1 OF 1	

# DECLARATION OF CONFORMITY

Declaration of Conformity information is available from the Stratasys website at: <http://www.stratasys.com/customer-support/customer-resource-center/documentation>.

## REGULATORY AND ENVIRONMENTAL INFORMATION

### EMC CLASS A WARNING



**Warning:** This is a Class A product. In a domestic environment this product may cause radio interference in which case the user may be required to take adequate measures.

---

### FCC STATEMENTS (U.S.A.)

The U.S. Federal Communications Commission (in 47 cfr1 5.105) has specified that the following notices be brought to the attention of users of this product.

This device complies with part 15 of the FCC rules. Operation is subject to the following two conditions:(1) this device may not cause harmful interference, and (2) this device must accept any interference received, including interference that may cause undesired operation.

**Shielded cables:** use of shielded data cables is required to comply with the Class A limits of Part 15 of the FCC Rules.



**Caution:** Pursuant to Part 15.21 of the FCC Rules, any changes or modifications to this equipment not expressly approved by Stratasys, Ltd. may cause harmful interference and void the FCC authorization to operate this equipment.

---



**Note:** This equipment has been tested and found to comply with the limits for a Class A digital device, pursuant to Part 15 of the FCC Rules. These limits are designed to provide reasonable protection against harmful interference in a commercial environment. This equipment generates, uses and can radiate radio frequency energy and, if not installed and used in accordance with the instructions, may cause harmful interference to radio communications. Operation of this equipment in a residential area is likely to cause harmful interference, in which case the user will be required to correct the interference at their own expense.

---

# CANADA ELECTROMAGNETIC COMPATIBILITY (EMC)

## Normes de sécurité (Canada)

Le présent appareil numérique n'émet pas de bruits radioélectriques dépassant les limites applicables aux appareils numériques de Classe **A** prescrites dans le règlement sur le brouillage radioélectrique édicté par le Ministère des Communications du Canada.

## DOC statement (Canada)

This digital apparatus does not exceed the Class **A** limits for radio noise emissions from digital apparatus set out in the Radio Interference Regulations of the Canadian Department of Communications.

## MSDS (MATERIAL SAFETY DATA SHEET)

You can obtain current Material Safety Data Sheets for the material used in the printer by visiting:  
[www.stratasys.com/materials/material-safety-data-sheets](http://www.stratasys.com/materials/material-safety-data-sheets).

## DISPOSAL OF WASTE EQUIPMENT BY USERS IN PRIVATE HOUSEHOLDS IN THE EUROPEAN UNION



This symbol on the product or on its packaging indicates that this product must not be disposed of with your other household waste. Instead, it is your responsibility to dispose of your waste equipment by handing it over to a designated collection point for the recycling of waste electrical and electronic equipment. The separate collection and recycling of your waste equipment at the time of disposal will help to conserve natural resources and ensure that it is recycled in a manner that protects human health and the environment. For more information about where you can drop off your waste equipment for recycling, please contact your local city office, your household waste disposal service or the shop where you purchased the product.



info@stratasys.com

STRATASYS.COM

---

#### HEADQUARTERS

7665 Commerce Way, Eden Prairie, MN 55344  
+1 888 480 3548 (US Toll Free)  
+1 952 937 3000 (Intl)  
+1 952 937 0070 (Fax)

2 Holtzman St., Science Park, PO Box 2496  
Rehovot 76124, Israel  
+972 74 745-4000  
+972 74 745 5000 (Fax)

ISO 9001:2008 Certified  
© Copyright 2016 Stratasys Inc. All rights reserved.

For more information about Stratasys systems, materials, and applications call 888.480.3548 or visit [www.stratasys.com](http://www.stratasys.com).

#### DOCUMENTATION FEEDBACK

Customers, resellers, and Stratasys employees are encouraged to send comments about our documentation and training to [c-support@stratasys.com](mailto:c-support@stratasys.com). We greatly value your comments, review all of them, and use them to improve subsequent releases of the documentation. In your email message please include the document title, part number (located on the front cover), and page number. Please note that we do not respond to general questions or support requests submitted to this email address.